

# FIELDKING

Rotary Tiller



➤ [Operator Manual](#) ➤ [Service Manual](#) ➤ [Part Catalogue](#)

# CONGRATULATIONS!

You have invested in one of the best implements of its type in the market today.

The care you give your "FIELDKING" implement will greatly determine your satisfaction with its performance and its service life. A careful study of this manual will give you a thorough understanding of your new implement before operating.

If your manual is lost or destroyed, "FIELDKING" will be glad to provide you a new copy. Visit to nearest dealership & get a copy. Most of our manuals can also be downloaded from our website at [www.fieldking.com](http://www.fieldking.com).

As an authorized "FIELDKING" dealer, we stock genuine "FIELDKING" parts which are manufactured with the same precision and skill as our original equipment. Our trained service persons are well informed on methods required to service "FIELDKING" equipments and are ready to help you.

Should you require additional information or assistance, please contact us.

YOUR AUTHORIZED

FIELDKING DEALER

BECAUSE "FIELDKING" MAINTAINS AN ONGOING PROGRAMME OF PRODUCT IMPROVEMENT, WE RESERVE THE RIGHT TO MAKE IMPROVEMENTS IN DESIGN OR CHANGE IN SPECIFICATION WITHOUT INCURRING ANY OBLIGATION TO INSTALL THEM ON UNITS PREVIOUSLY SOLD. BECAUSE OF THE POSSIBILITY THAT SOME PHOTOGRAPHS IN THIS MANUAL WERE TAKEN OF PROTOTYPE MODELS, PRODUCTION MODELS MAY VARY IN SOME DETAIL. IN ADDITION, SOME PHOTOGRAPHS MAY SHOW SHIELDS REMOVED FOR THE PURPOSE OF CLARITY. NEVER OPERATE THIS IMPLEMENT WITHOUT ALL SHIELDS IN PLACE.

# TO THE PURCHASER

This manual contains valuable information about your new "FIELDKING" rotary tiller. It has been carefully prepared to give you helpful suggestions for operating, adjusting, servicing and ordering spare parts.

Keep this manual in a convenient place for quick and easy reference. Study it carefully. You have purchased a dependable and sturdy rotary tiller but only by proper care and operation you can expect to receive the service and long life designed and built into it.

Sometime in the future your rotary tiller may need new parts to replace which are worn out or broken. If so, go to your dealer and provide him equipment's detail like model and part number.

## CUSTOMER INFORMATION

Name \_\_\_\_\_

Purchased From \_\_\_\_\_

Date of Purchase \_\_\_\_\_

Model No. \_\_\_\_\_

Serial No. \_\_\_\_\_

# PURCHASER / OPERATOR'S RESPONSIBILITY

1. Read and understand the information contained in this manual.
2. Operate, lubricate, assemble and maintain the equipment in accordance with all instructions and safety procedures in this manual.
3. Inspect the equipment and replace or repair any parts that are damaged or worn out which under continued operation would cause damage, wear to other parts, or cause a safety hazard.
4. Return the equipment or parts to the authorized "FIELDKING" dealer, from where it was purchased, for service or replacement of defective parts that are covered by warranty. (The "FIELDKING" Factory may inspect equipment or parts before warranty claims are honored.)
5. All costs incurred by the dealer for traveling to or transporting the equipment for warranty inspection and claims will be borne by the customer.

# INDEX

## 1. TECHNICAL DATA

- 1.1 Introduction
- 1.2 Warning signal
- 1.3 Danger signal
- 1.4 Personal protective equipment
- 1.5 Equipment safety guidelines
- 1.6 Indicator signal
- 1.7 Identification

## 2. SAFETY AND ACCIDENT PREVENTIONS

## 3. INSTRUCTIONS FOR OPERATOR

- 3.1 Machines supplied partly broken-down
- 3.2 Before use
- 3.3 Hitching to the tractor
- 3.4 Cardan shaft
- 3.5 Working depth
- 3.6 Chain tensioner
- 3.7 Hoe blades
- 3.8 In working
- 3.9 How it works
- 3.10 Troubleshooting hints for the tractor operator
- 3.11 Parking

## 4. MAINTENANCE

- 4.1 Every 8 work hours
- 4.2 Every 50 work hours
- 4.3 Every 200 work hours
- 4.4 Storage
- 4.5 Lubrication

## 5. SERVICING TIPS

### Parts Catalogue

### NOTE:

BERI UDYOG PVT. LTD reserves the right to modify machine design and specifications provided herein without any preliminary notice. Information provided herein is of descriptive nature. Performance quality may depend on soil quality.

# 1. TECHNICAL DATA

## 1.1 INTRODUCTION

This handbook contains operating and maintenance instructions plus a list of the parts supplied as spare parts for the rotary tiller.

Rotary Tiller can only operate by means of a **cardan shaft** engaged to the PTO of an agricultural tractor equipped with lift and universal three point hitch.

Besides working the soil in open areas, the particular and specific design of this implement makes it ideal for working between the rows of orchards and vineyards etc. Regular and satisfactory operations together with economic and long lasting use of the implement depend on the compliance with the instructions given in this handbook. It is therefore advisable to strictly comply with the following instructions in order to prevent faults that could jeopardize the correct and long lasting operation of the implement.

Compliance with the instructions in this handbook is also important though **manufacturer declines all and every responsibility for damage to persons or property caused by negligence and failure to comply with these instructions.**

The manufacturer shall, however, remain at the customer's disposal for immediate and thorough assistance together with anything else that may be required in order to ensure the correct operation and maximum efficiency of the implement.

## 1.2 WARNING SIGNAL

### REMEMBER SAFETY FIRST

Operator must read the instruction manual before operating the rotary tiller. Do not allow anyone to operate this equipment who has not fully read and comprehended this manual and who has not been properly trained in the safe operation of the equipment.



## 1.3 DANGER SIGNAL

1. Sharp objects could be thrown up keep a safe distance from the rotary tiller.
2. Risk of injury to leg
3. Keep away from the moving parts. Never remove guards while working.
4. Your implement is not designed to carry passengers - NO RIDER
5. Never allow anyone to stand between the tractor and implement while an operator is backing up to the implement.
6. Keep away from the cardan shaft. Keep away from the moving parts.



## 1.4 PERSONAL PROTECTIVE EQUIPMENT



1. Do not wear loose fitting dress, dangling jewellery. Long hair should be tied back to avoid entangling.
2. Wear appropriate footwear. Soft cloth shoes or sandals are not safe around any type of equipment.
3. Wear hearing protection such as earplugs or other devices that will minimize sounds. But will not interfere with your ability to hear traffic or other noises that may alert you to potential hazards.
4. Do not operate any machinery while talking on a cell phone or other portable devices such as MP3 players, as these are considered distractions- operating any farm equipment requires the operator's full attention.

## 1.5 EQUIPMENT SAFETY GUIDELINES



1. Read safety instructions for both the tractor and this tiller before use.
2. Never exceed the advised limits of the tractor or the tiller.
3. This equipment is dangerous to children and those unfamiliar with its operation. DO NOT ALLOW children to operate or play around equipment.
4. Operator should be an adult who is familiar with operating the tractor and the tiller.

Operator should be physically and mentally fit before operating machinery. Fatigue, stress, alcohol and drugs may impair the ability for safe farm machinery operation.

## 1.6 INDICATOR SIGNALS

1. Coupling point for lifting (Indicating the maximum capacity)
2. Oil fill plug.
3. Oil drain Plug.
4. Oil Level Plug.
5. Greasing point.
6. Identification Plate.

## 1.7 IDENTIFICATION

Each individual rotary tiller has an identification plate indicating the following details, which should be copied into the handbook along with the date of purchase:

1. Machine type.
2. Machine model.
3. Serial number.
4. Year of manufacture.

## 2. SAFETY AND ACCIDENT PREVENTION

Pay great attention to the danger signal indicated in this handbook. There are three types of danger signals:

**Danger:** This signal warns for serious injuries, death or long-term health risks would be caused by failure to correctly carry out the described operations.

**Warning:** This signal warns for serious injuries, death or long-term health risks that can be caused by failure to correctly carry out the described operations.

**Caution:** This signal warns for damage to the machine could be caused by failure to carry out the described operations.

Thoroughly read all the instructions before using the rotary tiller. Contact the technicians of your authorized dealer in case of doubt. The manufacturer declines all and every responsibility for injury/accidents in event of non-compliance of following safety and accident preventing provisions.

- 1) Comply with the instructions given by the danger symbols in this handbook and affixed to the steerage hoe itself.
- 2) Never touch any moving part.
- 3) Minor maintenance and adjustments to the rotary tiller must always be carried out when the engine is off and the tractor braked.
- 4) It is absolutely forbidden to carry passengers or any animals on the rotary tiller.
- 5) It is absolutely forbidden for a person without a driving license, untrained person or those in precarious health conditions to drive the tractor with the rotary tiller mounted.
- 6) Strictly comply with all the recommended accident preventing measures described in this handbook.
- 7) Assembly of a rotary tiller on the tractor will shift the weights on the axles. It is therefore advisable to add weights to the front part of the tractor in order to balance the weights on the axles themselves.
- 8) The coupled implement may only be controlled through the cardan shaft complete with the necessary safety devices for overloads and with the appropriate chains. Keep away from the cardan shaft while it is turning.
- 9) Before starting the tractor and implement, always check that all safety devices guarding transport and use are in perfect conditions.
- 10) The instruction labels affixed to the machine give useful advice on how to prevent accidents.
- 11) Always comply with the Highway Code in force in your country, when travelling on public roads.
- 12) Comply with the maximum permissible weight on the axle of the tractor, the total adjustable weight, transport regulations and the highway code.
- 13) Always be familiar with the controls and their operation before starting to work.
- 14) Avoid sharp turns as this may cause implement to ride up on the tractor's wheels and might result in serious injury and damage to your equipment.
- 15) As indicated, couple the implement to a tractor of adequate power and configuration, using a device (lift) conforming to the precautions.
- 16) Take the utmost care during the implement coupling and release phases.
- 17) Any accessories for transport must be equipped with adequate signals and guards.
- 18) Never leave the driving seat while the tractor is moving.
- 19) It is very important to remember that the road holding, steering and braking capacity may be notably influenced by the presence of towed or mounted implement.
- 20) Always take care of the centrifugal force exercised by the position of the center of gravity, when turning corners with the implement mounted.
- 21) Before engaging the PTO, check that the rpm rate is the same as prescribed. Never exchange the 540-rpm rate for 1000-rpm or vice versa.
- 22) It is absolutely forbidden to stand within the operative range of the machine where there are moving parts.
- 23) Before leaving the tractor, lower the implement coupled to the lift unit, stop the engine, engage the hand brake and remove the ignition key from the control panel.

- 24) It is strictly prohibited to stand between the tractor and the implement when the engine is running and the cardan shaft is engaging without having first engaged the hand brake and placing a block or stone under the wheels to prevent them from moving.
- 25) Always set the lift control lever to the locked position before coupling or releasing the equipment from the three-point coupling.
- 26) The category of the implement coupling pins should correspond to that of lift coupling.
- 27) Take care when working near the lift links. This is a very dangerous zone.
- 28) It is absolutely forbidden to stand between the tractor and the implement when handling the lift control from outside.
- 29) Fix the side lift links with the relative chains and idlers during the transport phase.
- 30) Set the control lever of the hydraulic lift to the locked position during road transport with the implement raised.
- 31) Only use the cardan shaft recommended by the manufacturer.
- 32) Check the cardan shaft guard frequently and periodically. It must always be in a proper condition.
- 33) Take great care of the cardan shaft guard, both in the transport and working positions.
- 34) The cardan shaft must only be installed or dismantled whilst the engine is off.
- 35) Take great care to ensure that the cardan shaft is correctly assembled and safe, and carefully check the P.T.O. of the rotary tiller and of the tractor.
- 36) Lock the rotation of the protection devices and read the respective cardan shaft Instruction manual thoroughly.
- 37) Before engaging the PTO, ensure that there's nobody in the field of action of the machine and that the selected running rate corresponds to the permissible value.
- 38) Never engage the PTO when the engine is on.
- 39) Always disengage the PTO when the cardan shaft is set at an excessively open angle (never beyond 10 degrees) and when it is not in use.
- 40) Only clean and grease the cardan shaft when the PTO is disengaged, the engine is off, the handbrake engaged and the ignition key is removed.
- 41) Rest the cardan shaft on its stand when not in use.
- 42) Refit the protective cap on the PTO shaft after having dismantled the cardan shaft.
- 43) Over use of the machine can overheat the gear box unit and parts of the hydraulic circuit. Never touch these parts immediately after use as they are very hot and can cause burns.
- 44) Never carry out maintenance or cleaning work unless the PTO has been disengaged, the engine switched off, the hand brake engaged and the tractor locked in position by a block or stone under the wheels.
- 45) Periodically check for all nuts and bolts to be fully tightened. Re-tighten them if necessary.
- 46) Always place adequate supports under the implement when servicing the machine or replacing the hoe blades with the implement raised.
- 47) Before working on the rotary tiller rotor, disengage the PTO, switch off the tractor engine, engage the hand brake and check that the blades are still.
- 48) Only use the recommended oils & grease.
- 49) The spare parts must correspond to the requirements established by the manufacturer. Only use genuine spare parts.
- 50) The safety instructions must always be perfectly visible. They must be kept clean and should be replaced if they become illegible. Replacements are available on request from your local dealer.
- 51) The instruction manual must be kept for as long as the machines last.

### 3. INSTRUCTIONS FOR OPERATOR

#### MACHINES SUPPLIED PARTLY

##### 3.1 BROKEN-DOWN

When large volumes are involved, machines can be supplied with parts detached or removed (but always in the same packaging units).

Normally the 3-point frame is shipped separate and will later be fixed to the machine at the customer premises. Execute these installation operations with the utmost care.

Refer to the list of parts in the spare parts catalogue. In particular, apply the screw tightening torques as listed in the chart.

##### 3.2 BEFORE USE

Before starting the machine, check that:

1. The machine is perfectly in order that the lubricants are at the correct levels.
2. Check the rotary tiller is correctly fitted & positioned to obtain the right working depth.
3. Check air breather valve is fitted on gear box and side gear cover.

#### WARNING

None of the following servicing, adjustment and the preparation operations should be carried out unless the PTO is disengaged, the machine is on the ground, the tractor engine is off and the tractor itself is safely parked & braked.

##### 3.3 HITCHING TO THE TRACTOR

The rotary tiller is coupled to the tractor when the tiller is on the ground. The ground area should be flat.

All the rotary tillers can be attached to any tractor with a class 1 or 2 universal 3-point hitch.

Depending on the precise dimensions of these two of hitches, find the best position for the rotary tiller by moving the front plates along the square tube and insert the pin in the holes corresponding to the correct diameter for the tractor's parallel arms.

#### DANGER

Mounting of any implement to a tractor is a very dangerous operation and must only be carried out with the utmost care in compliance with the instructions.

The correct tractor/steerage hoe position is established by setting the implement at such a distance from the tractor that the universal coupling remains 5-10 cm from its maximum closing position. Now proceed in the following way:

1. Near the lift bars, setting them in the most suitable place insert the pin into the relative hole and lock in place with the lynch pins.
2. Lock the lift links using the relative chains and couplings parallel to the tractor.
3. Engage the cardan shaft and check that it is perfectly locked on the PTO. Check that the guard is free to turn and fix it with a relative latch. Remove the cardan shaft support and reposition it by fixing it on the relative hook.
4. Connect the upper third point and correctly regulate by means of the adjuster checking that the upper surface of the steerage hoe is parallel to the ground. This is very important since it achieves parallelism between the axis of the steerage hoe and that of the tractor PTO. When the implement operates in these conditions, there will be less stress on the PTO itself while the cardan shaft and implement will be much less subjected to wear.
5. Besides supporting the leveling plate and acting as shock absorber for it during road transport, the spring ram prevents the steerage hoe from overturning when parking. The effect of the leveling plate on the soil can be increased or decreased depending upon the position, established by the split pin in the various holes in the ram tube.

6. When the machine is operating parking stand should be removed. Parking stand should only be installed when the rotary tiller has been lowered to the ground & the machine is parked.

##### 3.4 CARDAN SHAFT

###### Cardan Shaft adaptation

The cardan shaft, supplied with the machine, is of standard length. Therefore, it might be required to adapt the cardan shaft. In that case, before taking any step consult the Manufacturer for the eventual adaptation.

#### CAUTION

When the cardan shaft is fully extended, the two tubes must overlap by at least 10-15 cm. When fully inserted, the minimum play must be 4cm.

If the implement is used on another tractor, always check that the guards completely cover the rotating parts of the cardan shaft.

#### CAUTION

1. Never allow the steerage hoe to operate out of the soil. During work, avoid turning corners while the implement is working. Never work in reverse. Always raise the implement in order to reverse or change direction.
2. During transport, or whenever the implement must be raised, it is advisable to adjust the lift unit of the tractor so that the implement itself is not raised more than about 35 cm from the ground.
3. Do not drive on public highways if the machine is dirtied with soil, grass as it hampers the road traffic.
4. Lower the machine slowly to allow the blades to gradually penetrate the soil.
5. Do not allow it to drop violently on to the ground. To do this would strongly stress all the machine components and could damage them.

##### 3.5 WORKING DEPTH

Rotary tiller working depth is regulated on the basis of the position of the following devices:

1. Side skids

**Machine with skids:** To adjust working depth on this type of machine you must loosen the adjustment pin and raise or lower the skid to the desired extent. Then reposition the pin. Both skids should be subjected to this operation, which will vary according to the type of soil.

##### 3.6 CHAIN TENSIONER

A special mechanical chain tensioner regulates the tension of the drive chain. This device works against coiled spring tensioner.

##### 3.7 HOE BLADES

Check the degree of wear and condition of the hoe blades daily. If the blades accidentally bend (or break) during work, they must be immediately replaced.

Remember to mount the new hoe blade in exactly the same position as the old one. If several hoe blades must be replaced, it is advisable to remove and assemble one hoe blade at a time in order to prevent positioning errors.

The steerage hoes are normally equipped with 4 blades per flange. When the soil is dry to clog it is, however, possible to mount 6 hoe blades per flange. The heads of the bolts fixing the hoe blades in place must be on the side of the hoe blades themselves, while the nut with relative washer must be on the flange side. Apply the tightening torques as listed in the chart. If the hoe blades must be changed, remember to set the new blades in the same positions as the dismantled ones.

### 3.8 IN WORKING

Start working with the PTO at running rate, gradually lowering the steerage hoe into the soil. Never excessively press down on the accelerator pedal when the PTO is engaged. This could be very harmful for both the steerage hoe and the tractor itself. When choosing how much to break up the soil that is to be rotary hoed the following points must be considered:

1. The type of soil (mixed, sandy, clayed etc.)
2. How deep to hoe
3. The forward moving speed of the rotary tiller/tractor.

The soil is best broken up and rotary hoed with a slow forward moving speed of the tractor, with the leveling blade lowered and a blade carrying rotor rotation speed of about 180-210 rpm. The plank helps to produce a well-leveled and smooth surface after hoeing.

If the plank is raised the sods/clog are no longer broken up and there will not be a smooth, level finish.

### 3.9 HOW IT WORKS

Position the Plank according to how finely broken soil should be. Position the depth of the two skids that are on the sides of the rotary tiller. Start to move the tractor forward gradually lowering the rotary tiller.

After a short distance check whether the soil is being hoed to the depth required, broken up finely enough and levelled enough.

### CAUTIONS

In order to prevent breakages or damage, the speed of the tractor must never exceed 2-5 km/hr while the implement is working.

## 3.10 TROUBLESHOOTING HINTS FOR THE TRACTOR OPERATOR

### INSUFFICIENT DEPTH

1. Check the positioning of the two depth skids.
2. Move forward slower as the power of the tractor may be insufficient.
3. If the soil is too hard a second or third hoeing may be required.
4. If the hoe blades are rotating on top of the soil instead of cutting into it proceed more slowly.

### THE SOIL IS TOO FINELY BROKEN UP

1. Raise the leveling blade.
2. Increase the forward moving speed of the tractor.

### THE SOIL IS NOT BROKEN UP FINELY ENOUGH

1. Lower the leveling blade.
2. Reduce the tractor speed.
3. Don't work soil that is too wet.
4. In the rotary hoes fitted with a leveling bar, raise or lower this so as to keep the sods closer to the hoe blades.

### CLOGGING UP THE ROTOR

1. The soil is too wet for hoeing.
2. Raise the leveling blade.
3. Reduce the tractor speed.
4. Reduce the number of the hoe blades per flange from six to four.
5. Avoid hoeing where there is long grass.

### THE ROTARY HOE BOUNCES OVER THE SOIL OR VIBRATES

1. There are foreign bodies caught between the hoe blades.
2. The hoe blades have been incorrectly assembled thereby not forming. The helix shape or with the blunt edge placed to cut into the soil first instead of the cutting edge.
3. Worn or broken hoe blades.
4. The rotor is deformed because of blows to the central part caused by foreign bodies present during hoeing.

### OTHER PROBLEMS

The rotary hoe does not hoe to the same depth over the whole width. E.g. if it hoes too deeply on the right side shorten the right arm of the lift bars and regulate the position of the right hand skid.

### WORKING ON A HILL/SLOPE

Where possible always try to 'work up' the slope. If this is not possible avoid hoeing along the contours of the hill and hoe up and down the slope to avoid a terracing effect.

### PRACTICAL NOTES

The hoed soil should be on the right of the driver the best system is to hoe the alternate strips.

### 3.11 PARKING

### WARNING

Comply with the following instruction in order to ensure that the implement remains stable when released from the tractor.

1. Besides supporting the leveling plate and acting as a shock absorber for it during road transport, the spring ram prevents the steerage hoe from over turning when parking.
2. Hold the cardan shaft with a suitable support.

### 4. MAINTENANCE

The various servicing operation are listed in the following paragraphs.

Lower running costs and longer machine life depend on constant and methodical compliance with these operations.

## CAUTION

The given frequencies are indicative and refer to normal conditions of use. They may therefore be subjected to variations in relation to the type of service, in more or less dusty environment, seasonal factors, etc.

In the case of heavy-duty condition, the maintenance operation should obviously be more frequent.

Before injecting grease into the lubricators, the greasing points must be thoroughly cleaned to prevent mud, dust or foreign bodies from mixing with the lubricants, thus reducing or even annulling its lubricating effect.

When topping up or changing the lubricant, always ensure that the oil is of the same type as that used previously.

## WARNING

Always keep oil and greases well away from children's reach. Always thoroughly read the warnings and precautions indicated on the containers.

Avoid contact with the skin.

Always thoroughly and fully wash after use. The utilized oils should be treated in compliance with the current anti-pollution laws.

### 4.1 EVERY 8 WORK HOURS

Grease the cardan shaft cross journals.

Check that the bolts fixing the hoe blades are well tightened.

### 4.2 EVERY 50 WORK HOURS

Check the level of the oil in the gearbox or in the reduction unit and top up to the level mark on the rod as necessary.

**Transmission lateral part chain:** check the level of the oil in the side casing of the transmission unit.

Add oil through the fill plug if necessary. It should flow from the level plug.

### 4.3 EVERY 200 WORK HOURS

Change the oil in the gearbox or in the reduction unit and transmission casing by completely draining of the old oil through the drain plug, under the reduction unit and through the transmission drain plug.

### 4.4 STORAGE

It is advisable to proceed in the following way at the end of the season or if the machine is to remain inactive for a long period of time:

1. Wash the implement, particularly removing any fertilizer and/or chemical products, and then thoroughly dry it.
2. Carefully check for any damaged or worn parts and replace these if necessary.

3. Fully check screws or bolts, particularly those fixing the hoe blades.
4. Thoroughly lubricate the implement and lastly protect it with a plastic sheet. Store it in a dry place.

Careful compliance with these instructions will be all to the advantage of the user who will be sure to use an implement in perfect conditions when work begins again. Remember that the manufacturer is always at your disposal for any assistance or spare parts as may be required.

## 4.5 LUBRICANTS

It is advisable to use SAE 140 EP Grade OIL or equivalent for the gear box unit and side transmission.

It is advisable to use high quality grease for all greasing points.

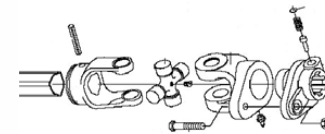
## 5. SERVICING TIPS

1. **Problem**--P.T.O shaft is rotating with constant speed but not the gear box.

**Cause of problem** -- Safety bolt might be broken

**Solution** – Replace the safety bolt.

- a) Remove the P.T.O shaft from the R.T side.
- b) Dislodge the safety bolt and replace it.



2. **Problem**—P.T.O shaft is making noise/ vibration.

**Cause of problem** – P.T.O cross is broken.

**Solution** – Change the P.T.O cross.

- a) Take the P.T.O shaft and check the cross of both side by rotating it.
- b) Remove the lock of the cross which is broken.
- c) Take out the cross by using hammer gently.
- d) Insert the new one properly then lock it.
- e) Rotate the yoke, it should rotate properly.
- f) Make the greasing properly.

3. **Problem**—Yoke is not fitting on the pinion shaft.

**Cause of problem** – Yoke pin is broken.

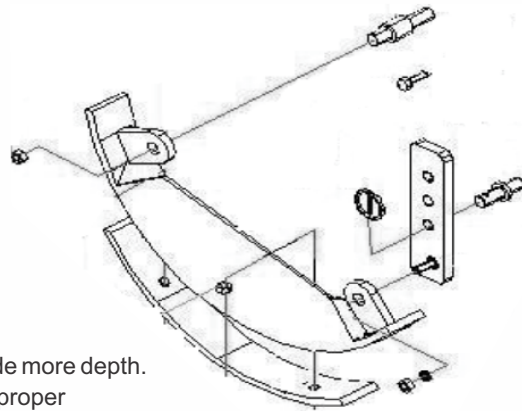
**Solution** – Replace the yoke pin.

- a) Clear the head of the pin push it with with hammer and remove it
- B) Replace it with new one.
- c) Take care of proper cleaning and greasing.

4. **Problem**—Rotary tiller is not taking proper depth.

**Cause of problem**— Side depth skids need to be adjusted.





**Solution –**

- a) Lose the side skid bolt .
- b) Shift the hole to the upper side.

**2. Problem—**R.T. is taking on one side more depth.

**Cause of problem –**linkage is not proper

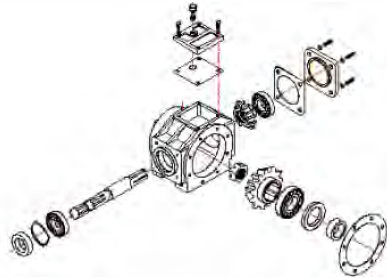
**Solution –**Linkage adjustment should be proper.

- a. Tractor linkage should be tight.
- b. There should not be any play more then 1.5”(38MM).
- c. At the time of attaching the rotary tiller the R.T should be in proper leveled position.
- d. Both side skids should be in same bolt position.

**3. Problem—**Gear box is noisy.

**Cause of problem –**Play in bearing or teeth broken.

**Solution –**Replace the bearing or bevel gear.



- a) Open the top cover to see the wear of the teeth
- b) If the teeth of the gear is broken the bevel set needs to be replaced.
- c) Pull out the gear box and open the big flange.
- d) Then remove the back plate
- e) Pull out the pinion shaft using hammer or press machine.
- f) Replace the bearing, gear and seals.
- g) Make the fitment in the same way using new gasket.
- h) The gear should rotate freely.
- i) Assemble it back the breather valve should be clean and oiling should be checked.

**2. Problem—**Gear shafts are rotating but not the chain/rotor

**Cause of problem –**Transmission shaft / chain/ RD shaft is broken

**Solution –**Open the chain cover and replace the part which is broken.

- a. First remove the lock & loose the check nut.
- b. Pull out the sprocket assembly with chain.
- c. If the transmission shaft is broken, follow the same process as above and replace the shaft then assemble the gear box with rotary tiller.
- d. If chain is broken then replace the chain and assemble the sprockets together with chain & then tighten the check nuts.

For RD shaft the process will be different

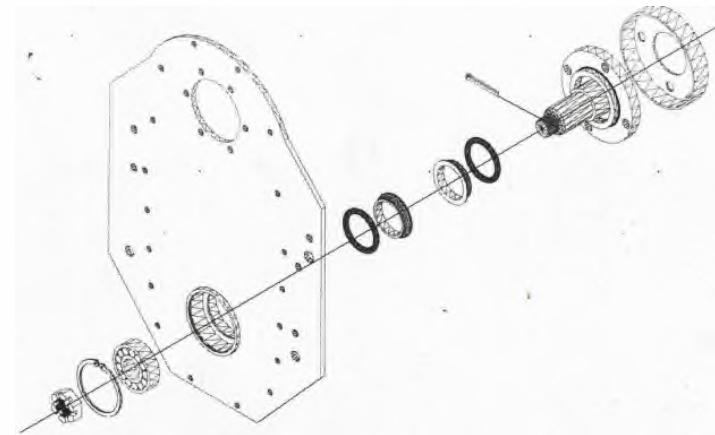
- e. First open the flange bolt of the rotor on both side (RD shaft and Dead shaft) and remove the rotor.
- f. Loosen the check nut of RD shaft and hammer it till it gets out from the RD shaft hub & then replace the RD shaft and tight the check nut. Take care of the seal as it should not be harmed with this replacement.

The same process be followed for dead shaft replacement.

**3. Problem—**Oil leakage from the RD shaft hub or dead hub.

**Cause of problem –**Seal is wearing out needs to be replaced it.

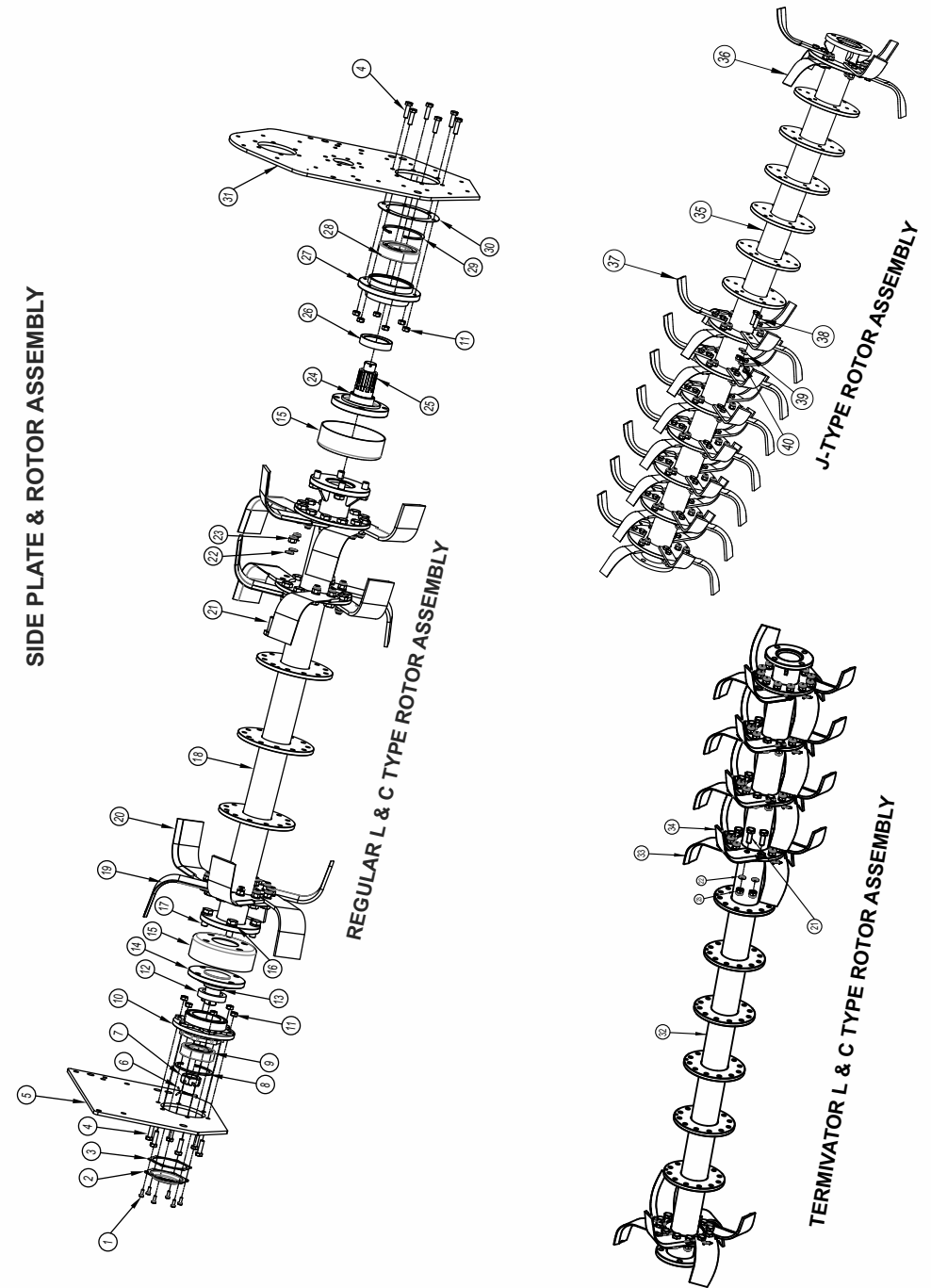
**Solution –**Open the hub assembly as before



- a. Take out the hub from the plate by loosening the bolts
- b. Remove the lock and pull out the shaft.
- c. Pull out the seal from both shaft and hub then replace it with new one
- d. Inspect the position of bearing and hub if it is ok. Clean it and assemble as before.
- e. Proper greasing is very necessary in assembly processes.

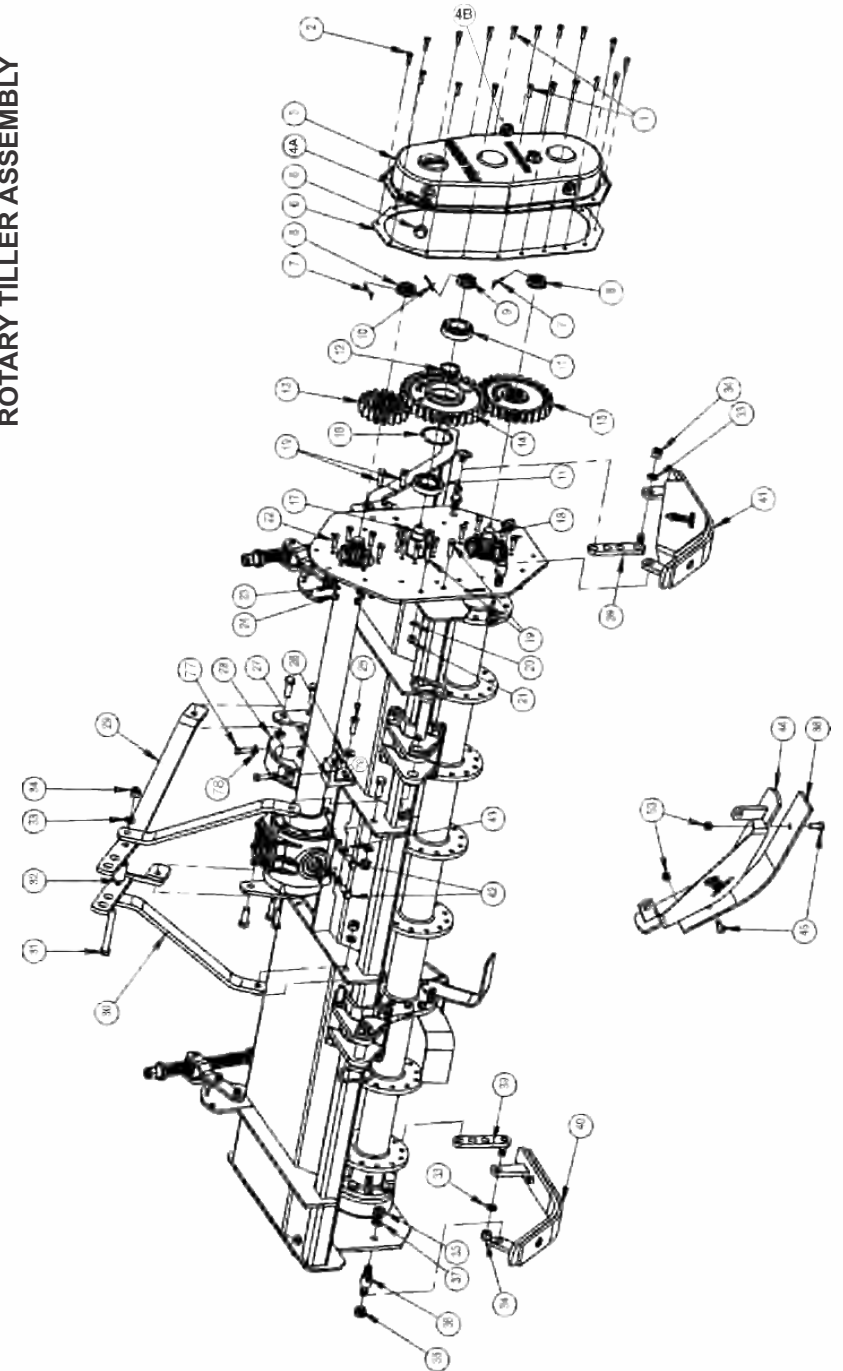
ROTARY TILLER SIDE PLATE AND ROTOR ASSEMBLY			
SR. NO	DESCRIPTION	ITEM CODE	QTY.
1	HEX HEAD BOLT 6X16X1MM (P)	10260359	6
2	DEAD HUB CAP ROUND	10180001	1
3	GASKET DEAD HUB CAP	10040026	1
4	HEX. HEAD BOLT M10X35X1.5	10260353	12
5	SIDE PLATE LHS (18X33X28)	73540004	1
	SIDE PLATE LHS (19X33X25)	70050001	
	SIDE PLATE BIG LHS (18X33X28)	78910002	
	SIDE PLATE BIG LHS (19X33X25)	78910003	
	BERONI RT SIDE PLATE BIG LHS	70040009	
6	SPLIT PIN 1/8X2.5 INCH	10020097	1
7	CASTLE NUT M30X1.5	10280093	1
8	CIRCLIP 95MM	10390014	1
9	BEARING 6308	10050051	1
10	DEAD HUB (OIL SEAL TYPE) (ROUND) NEW	10090021	1
11	PLAIN NUT 10X1.5MM	10280036	12
12	OIL SEAL 55X75X15	10010023	1
13	DEAD SHAFT BUSH	10070042	1
14	DEAD AXLE SHAFT NEW ROUND (OIL SEAL TYPE)	10110002	1
15	ROTOR COVER	10150003	2
16	SPRING WASHER 16MM	10270005	8
17	HEX HEAD BOLT M16X35X1.5MM	10260369	8
18	<b>ROTOR ASSEMBLY (REGULAR L &amp; C TYPE BLADE)</b>		1
	ROTOR ASSEMBLY (1.00 MTS.)	70030012	
	ROTOR ASSEMBLY (1.25 MTS.)	73190001	
	ROTOR ASSEMBLY (1.50 MTS.)	73200001	
	ROTOR ASSEMBLY (1.75 MTS.)	73210001	
	ROTOR ASSEMBLY (2.00 MTS.)	73220001	
	ROTOR ASSEMBLY (2.25 MTS.)	73230001	
	ROTOR ASSEMBLY (2.50 MTS.)	73240001	
19	HOE LHS (L TYPE)	10060016	3 PER FLANGE
	HOE LHS (C TYPE)	10060035	
20	HOE RHS (L TYPE)	10060017	3 PER FLANGE
	HOE RHS (C TYPE)	10060034	
21	HEX HEAD BOLT M14X40X1.5MM	10260357	12 PER FLANGE
22	SPRING WASHER 14MM	10270004	12 PER FLANGE
23	NYLOCK NUT M14X1.5 P	10280004	12 PER FLANGE
24	RD SHAFT BUSH	10070002	1
25	RD SHAFT (OIL SEAL TYPE) 10 SPLINES	10290017	1
26	OIL SEAL 65X85X16(DOUBLE SPRING TYPE)	10010136	1
27	RD HUB (OIL SEAL TYPE) (ROUND)	10090010	1
28	BEARING 6310	10050053	1
29	CIRCLIP 118MM	10390013	1
30	GASKET RD HUB	10040025	1
31	SIDE PLATE RHS (GEAR TYPE) (18X33X28)	73590002	1
	SIDE PLATE RHS (GEAR TYPE) (19X33X25)	70040004	
32	<b>ROTOR ASSEMBLY (TERMINATOR L &amp; C TYPE BLADE)</b>		1
	ROTOR ASSEMBLY (1.45 MTS.)	73340001	
	ROTOR ASSEMBLY (1.65 MTS.)	73350001	
	ROTOR ASSEMBLY (1.85 MTS.)	73360001	
	ROTOR ASSEMBLY (2.05 MTS.)	73370001	
33	HOE LHS (L TYPE)	10060014	3 PER FLANGE
	HOE LHS (C TYPE)	10060038	
34	HOE RHS (L TYPE)	10060015	3 PER FLANGE
	HOE RHS (C TYPE)	10060039	
35	<b>ROTOR ASSEMBLY (J- TYPE BLADE)</b>		1
	ROTOR ASSEMBLY (1.00 MTS.)	73200006	
	ROTOR ASSEMBLY (1.25 MTS.)	73200007	
	ROTOR ASSEMBLY (1.50 MTS.)	73200003	
	ROTOR ASSEMBLY (1.75 MTS.)	73200004	
	ROTOR ASSEMBLY (2.00 MTS.)	73200005	
36	J-TYPE HOE LHS	10060023	3 PER FLANGE
37	J-TYPE HOE RHS	10060022	3 PER FLANGE
38	HEX HEAD BOLT M12X40X1.75MM	10260355	12 PER FLANGE
39	SPRING WASHER 12MM	10270003	12 PER FLANGE
40	NYLOCK NUT M12X1.75	10280025	12 PER FLANGE

SIDE PLATE & ROTOR ASSEMBLY



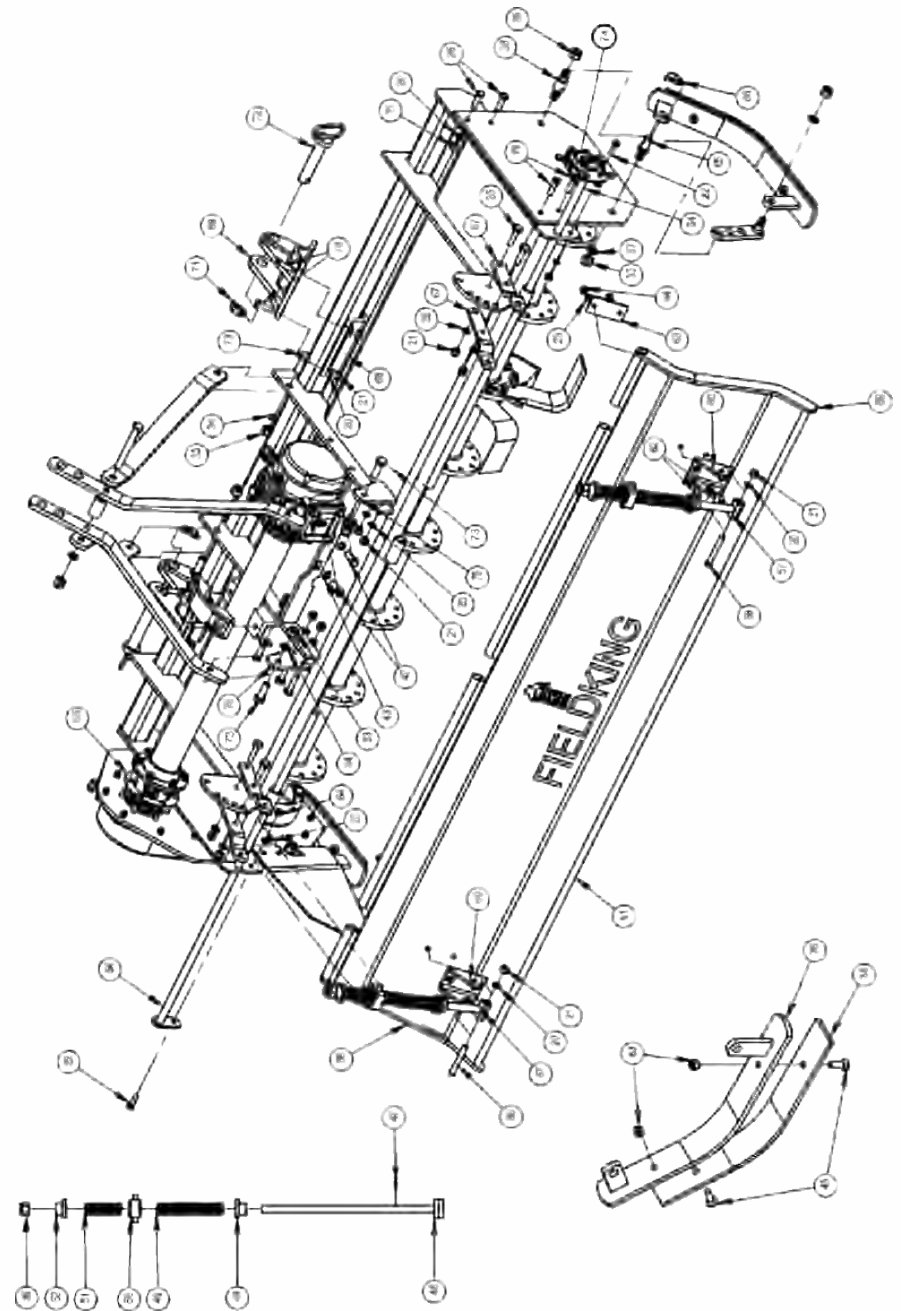
ROTARY TILLER COMPLETE ASSEMBLY			
SR. NO	DESCRIPTION	ITEM CODE	QTY.
1	HEX HEAD BOLT M8X40	10260373	2
2	HEX HEAD BOLT M8X25	10260360	16
3	GEAR COVER	10150006	1
4A	BREATHER NUT 22X1.5	10280010	2
4B	OIL LEVEL INDICATOR	10300117	1
5	BREATHER VALVE	10190001	2
6	GASKET CHAIN/ GEAR COVER	10040016	1
7	SPLIT PIN 1/8 2.5"	10020097	1
8	CASTLE NUT 30X1.5	10280093	3
9	CASTLE NUT 36X2	10280071	1
10	SPLIT PIN 1/8 2.5 INCH	10020097	4
11	BEARING 32209	10050013	1
12	SPACER 45X4	10300096	1
13	SPUR GEAR 18-14S	10250001	1
	SPUR GEAR 18- 8S	10250023	1
	SPUR GEAR 19-14S	10250004	1
	SPUR GEAR 19-8S	10250029	1
14	SPUR GEAR Z33	10250015	1
15	SPUR GEAR 28-10S	10250019	1
	SPUR GEAR 25-10S	10250030	1
16	CIRCLIP B85	10390032	1
17	IDLER PIN	10020004	1
18	RD SHAFT NEW	10290017	1
19	HEX HEAD BOLT M12X1.75X35	10260362	6
20	SPRING WASHER M12	10270003	6
21	NYLOCK NUT M12X1.75	10280025	6
22	HEX HEAD BOLT M10X1.5X35	10260353	20
23	SPRING WASHER M10	10270002	6
24	PLAN NUT M10	10280036	12
25	HEX HEAD BOLT M14 X60 X 2	10260399	4
26	PLAN WASHER M12	10270010	4
27	TRANSMISSION PIPE CLAMP LOWER	10220022	2
28	TRANSMISSION PIPE CLAMP UPPER	10220021	2
29	REAR LEVER	73570003	2
30	FRONT LEVER	73570002	2
31	HEX HEAD BOLT M16X2X125	10260367	1
32	BUSH	10070004	1
33	SPRING WASHER M16	10270005	1
34	NYLOCK NUT M16X2	10280005	1
35	NYLOCK NUT M18X1.5P	10280006	6
36	DEPTH SKID PIN 90 (M18x1.5x90MM)	10020001	1
37	SPRING WASHER M18	10270006	4
38	DEPTH SKID SUPPORT BEND STRIP LOWER	71570007	1
39	DEPTH SKID ADJUSTER STUD ASSEMBLY	71570022	1
40	DEPTH SKID ASSEMBLY LHS	73420001	1
41	DEPTH SKID ASSEMBLY RHS	71570001	1
42	HEX HEAD BOLT M14X1.5X35	10260067	4
43	SPRING WASHER M14	10270004	4
44	DEPTH SKID UPPER STRIP ASSEMBLY RHS	71570011	1
45	CSK BOLT M12X1.75X35	10260049	2

ROTARY TILLER ASSEMBLY

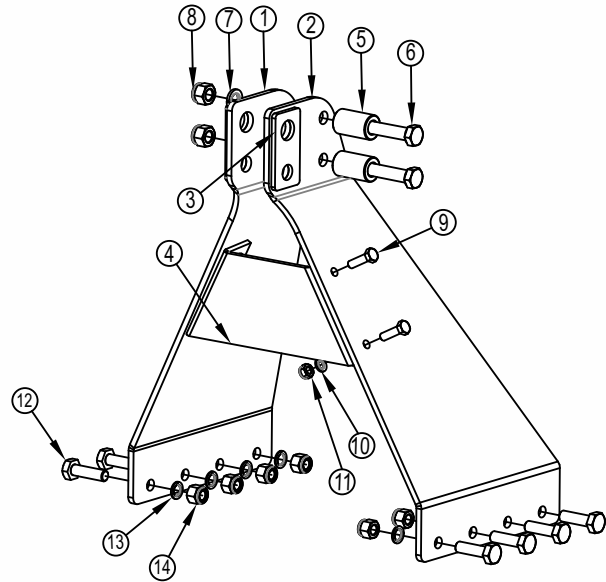


ROTARY TILLER COMPLETE ASSEMBLY			
SR. NO	DESCRIPTION	ITEM CODE	QTY.
46	SHOCKER ROD	10160006	2
47	RIVIT 5X35	20050422	2
48	SHOCKER SPRING CUP LOWER	10180018	2
49	SHOCKER SPRING BIG	10210002	2
50	SQUARE BUSH	10070003	2
51	SHOCKER SRING SMALL	10210003	2
52	SHOCKER SPRING CUP UPPER	10180002	2
53	PLAIN NUT M12X1.75	10280028	2
54	PLANK ROD NEW 2.75 MTR	70020040	2
	PLANK ROD NEW 2.50 MTR	70020039	
	PLANK ROD NEW 2.25 MTR	70020028	
	PLANK ROD NEW 2 MTR	70020029	
	PLANK ROD NEW 1.75 MTR	70020030	
	PLANK ROD NEW 1.5 MTR	70020031	
	PLANK ROD NEW 1.25 MTR	70020032	
	PLANK ROD NEW 1 MTR	70020033	
	PLANK ROD NEW 2.05MTR	70020037	
	PLANK ROD NEW 1.85 MTR	70020036	
PLANK ROD NEW 1.65 MTR	70020035		
PLANK ROD NEW 1.45 MTR	70020034		
55	GASKET SMALL FLAGE 6 HOLE	10040005	1
56	HEX HEAD BOLT 12X1.75X90	10260364	2
57	SHOCKER ASSEMBLY	73180001	2
58	PLANK SIDE SUPPORT RHS	70020011	1
59	PLANK SIDE SUPPORT LHS	70020027	1
60	SHOCKER -PLANK ATTACHMENT U CLAMP	10220003	2
61	PLANK ASSEMBLY 2.75MTR	73130001	1
	PLANK ASSEMBLY 2.50MTR	73120001	1
	PLANK ASSEMBLY 2.25MTR	73110001	1
	PLANK ASSEMBLY 2MTR	73100001	1
	PLANK ASSEMBLY 1.75MTR	73090001	1
	PLANK ASSEMBLY 1.5MTR	73080001	1
	PLANK ASSEMBLY 1.25MTR	70020013	1
	PLANK ASSEMBLY 1MTR	70020024	1
	PLANK ASSEMBLY 2.05MTR	73170001	1
	PLANK ASSEMBLY 1.85MTR	73160001	1
PLANK ASSEMBLY 1.65MTR	73150001	1	
PLANK ASSEMBLY 1.45MTR	73140001	1	
62	CSK BOLT M10X1.5X35	10260027	2
63	SHOCKER PLANK ATTACHMENT INNER SUPPORT PLATE	70020026	2
64	NYLOCK NUT M10X1.5	10280002	4
65	DEPTH SKID PIN 69 (M18X1.5X69MM)	10020002	1
66	LINCH PIN 8MM	10020045	1
67	RT FRAME SHOCKER HOLDING CLAMP	70020012	4
68	FRONT LINK BRACKET LOWER	10120005	2
	ROBUST RT FRONT LINK BRACKET LOWER CLAMP (SHEETMETAL TYPE) QUICK HITCH TYPE	10120025	2
	FRONT LINK BRACKET LOWER CLAMP	10120011	2
69	FRONT LINK BRACKET UPPER	10120006	4
	ROBUST RT FRONT LINK BRACKET UPPER CLAMP (SHEETMETAL TYPE) QUICK HITCH TYPE	10120024	2
	FRONT LINK BRACKET UPPER CLAMP CAT-II (SHEETMETAL TYPE) QUICK HITCH TYPE	10120023	2
70	HEX HEAD BOLT 12X1.75X60	10260356	8
71	LINCH PIN 10MM	10020022	3
72	TILLER PIN WITH HANDLE 28X145	10020047	2
73	HEX HEAD BOLT M16X2X50	10260358	2
74	GREASE NIPPLE M6X1P	10300312	1
75	REAR LEVER EXTENSION PLATE	70110004	2
76	DEPTH UPPER STRIP ASSEMBLY LHS	73420002	1
77	HEX HEAD BOLT M16X65X2	10260378	4
78	SPRING WASHER 16MM	10270005	4
79	NYLOCK NUT M16X2	10280005	4

ROTARY TILLER ASSEMBLY

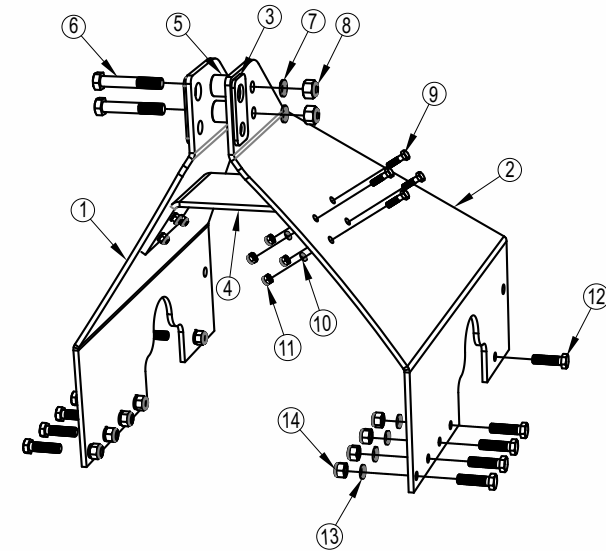


## REGULAR SHEET-METAL 3-POINT LINKAGE



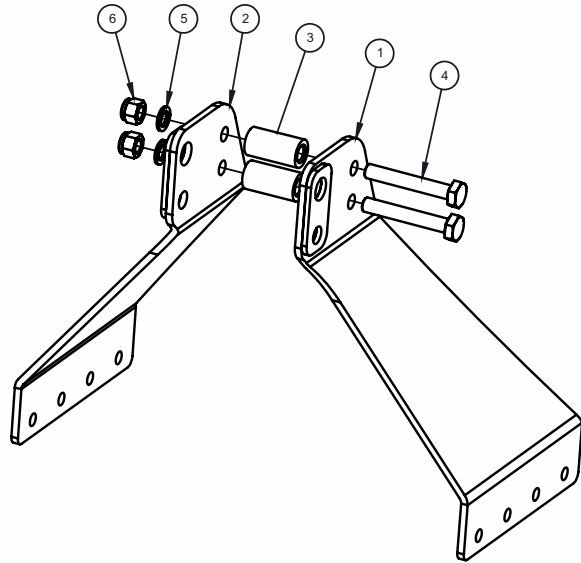
TILLER 3-POINT LINKAGE ASSEMBLY (73570005)			
SR. NO.	DESCRIPTION	ITEM CODE	QTY.
1	RT FRONT LEVER PLATE (LHS)	73570007	1
2	RT FRONT LEVER PLATE (RHS)	73570006	1
3	TPL SIDE SUPPORT PLATE	73570008	2
4	RT TPL MIDDLE SUPPORT PLATE	73570009	1
5	LEVER BUSH	10070004	2
6	HEX. HEAD BOLT M16X2X105	10260134	2
7	SPRING WASHER 16MM	10270005	2
8	NYLOCK NUT M16X2	10280005	2
9	HEX. HEAD BOLT M10X1.5X35	10260353	4
10	SPRING WASHER 10MM	10270002	4
11	HEX. NYLOCK NUT M10X1.5	10280002	4
12	HEX. HEAD BOLT M14X2X50	10260386	8
13	SPRING WASHER 14MM	10270004	8
14	HEX. NYLOCK NUT M14X2	10280090	8

## ROBUST SHEET-METAL 3-POINT LINKAGE



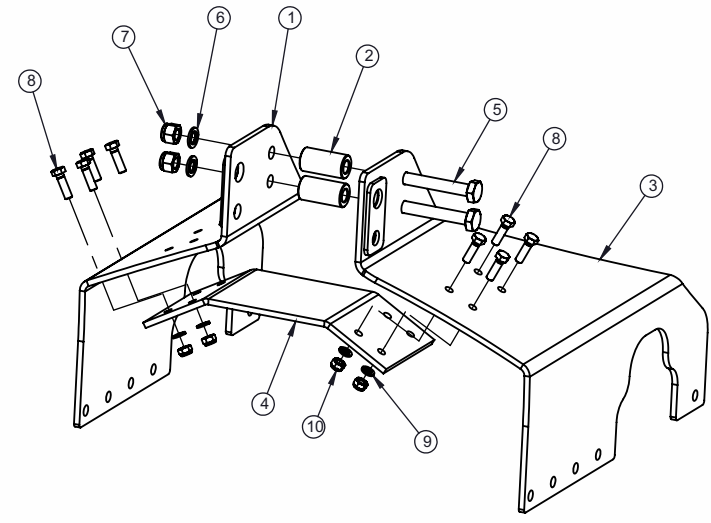
ROTARY TILLER 3-POINT LINKAGE ASSEMBLY SHEET-METAL TYPE				
SR NO.	DESCRIPTION	ITEM CODE		QTY.
		73580011	73580009 (9 ft. & 10 ft.)	
1	TPL SIDE PLATE LHS	73570016	73570024	1
2	TPL SIDE PLATE RHS	73570017	73570025	1
3	TPL SIDE SUPPORT PLATE	73570008	73570019	2
4	ROBUST TPL MIDDLE SUPPORT PLATE	73570023	73570018	1
5	LEVER BUSH	10070004	10070004	2
6	HEX. HEAD BOLT M16X2X105	10260134	N/A	2
	HEX. HEAD BOLT M16X2X95	N/A	10260418	
7	SPRING WASHER 16MM	10270005	10270005	2
8	NYLOCK NUT M16X2	10280005	10280005	2
9	HEX. HEAD BOLT M10X1.5X35	10260353	10260353	8
10	SPRING WASHER 10MM	10270002	10270002	8
11	NYLOCK NUT M10X1.5	10280002	10280002	8
12	HEX. HEAD BOLT M14X2X50	10260386	10260386	10
13	SPRING WASHER 14MM	10270004	10270004	10
14	NYLOCK NUT M14X2	10280090	10280090	10

**ROTARY TILLER 3-POINT LINKAGE ASSEMBLY -  
(QUICK HITCH TYPE) (73570020)**

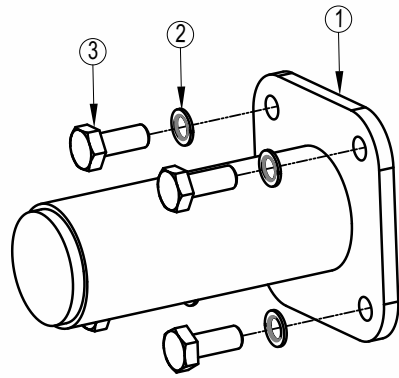


ROTARY TILLER 3-POINT LINKAGE ASSEMBLY			
SR. NO.	DESCRIPTION	ITEM CODE	QTY.
1	REGULAR ROTARY TILLER TPL PLATE - RHS (QUICK HITCH TYPE)	73570054	1
2	REGULAR ROTARY TILLER TPL PLATE - LHS (QUICK HITCH TYPE)	73570053	1
3	BUSH 17X32X64MM (L)	10070173	2
4	HEX. HEAD BOLT M16X2X105	10260134	2
5	SPRING WASHER 16MM	10270005	2
6	NYLOCK NUT M16X2	10280005	2

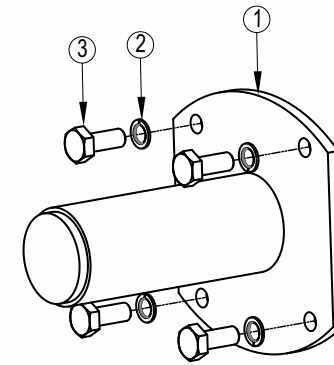
**ROTARY TILLER 3-POINT LINKAGE ASSEMBLY  
(QUICK HITCH TYPE) (73580010)**



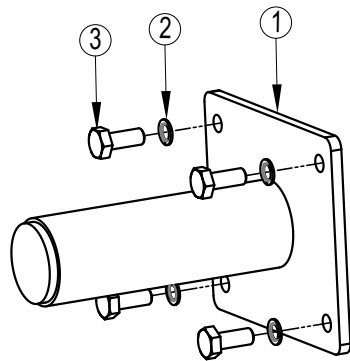
ROBUST ROTARY TILLER 3-POINT LINKAGE ASSEMBLY			
SR NO.	DESCRIPTION	ITEM CODE	QTY.
1	ROTARY TILLER TPL SIDE PLATE LHS (QUICK HITCH TYPE)	73570050	1
2	BUSH 17X32X64MM (L)	10070173	2
3	ROTARY TILLER TPL SIDE PLATE RHS (QUICK HITCH TYPE)	73570051	1
4	ROTARY TILLER TPL MIDDLE SUPPORT PLATE (QUICK HITCH TYPE)	73570052	1
5	HEX. HEAD BOLT M16X2X105	10260134	2
6	SPRING WASHER 16MM	10270005	2
7	NYLOCK NUT M16X2	10280005	2
8	HEX. HEAD BOLT M10X1.5X35	10260353	8
9	SPRING WASHER 10MM	10270002	8
10	NYLOCK NUT M10X1.5	10280002	8



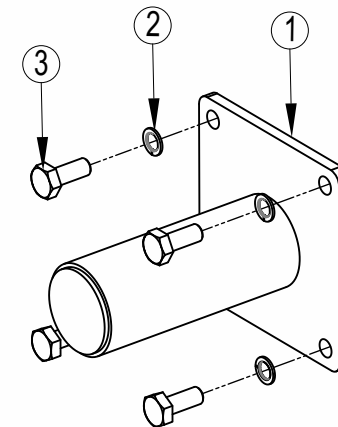
SIDE MOUNTING ASSEMBLY WITH SINGLE-SPEED GEARBOX (11X20)			
SR. NO.	DESCRIPTION	ITEM CODE	QTY.
1	RT GEAR BOX SIDE MOUNTING ASSEMBLY (SINGLE SPEED) (11X20)	74790007	1
2	SPRING WASHER 14MM	10270004	4
3	HEX HEAD BOLT M14X2X35	10260372	4



SIDE MOUNTING ASSEMBLY SINGLE-SPEED GEAR BOX (14X25)			
SR NO.	DESCRIPTION	ITEM CODE	QTY.
1	RT GEAR BOX SIDE MOUNTING ASSEMBLY (ROBUST) (14X25)	74790001	1
2	SPRING WASHER 14MM	10270004	4
3	HEX HEAD BOLT M14X2X35	10260372	4



SIDE MOUNTING ASSEMBLY MULTI-SPEED GEARBOX (13X25)			
SR NO.	DESCRIPTION	ITEM CODE	QTY.
1	RT GEAR BOX SIDE MOUNTING ASSEMBLY (FIELDKING MULTISPEED) (13X25)	74790002	1
2	SPRING WASHER 14MM	10270004	4
3	HEX HEAD BOLT M14X2X35	10260372	4

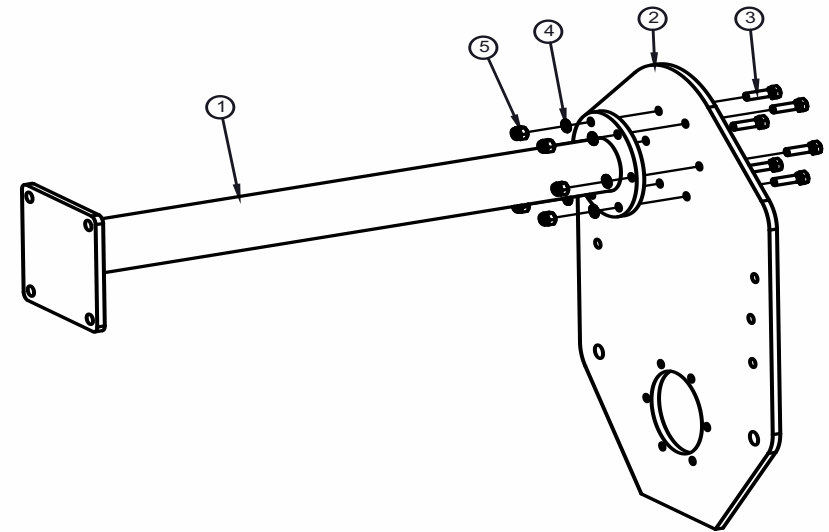


SIDE MOUNTING ASSEMBLY MULTISPEED GEAR BOX (14X25)			
SR NO.	DESCRIPTION	ITEM CODE	QTY.
1	RT GEAR BOX SIDE MOUNTING ASSEMBLY (ROBUST MULTISPEED) (14X25)	74790010	1
2	SPRING WASHER 14MM	10270004	4
3	HEX HEAD BOLT M14X2X35	10260372	4

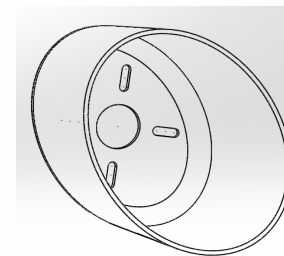
BOTH SIDE PIPE ASSEMBLY			
SR.NO.	ITEM_NAME	ITEM CODE	QTY
1	<b>GEAR BOX SIDE MOUNTING ASSEMBLY</b>		
	RT GEAR BIG SIDE MOUNTING ASSEMBLY 1.25 MTR (MULTISPEED)	78750039	1
	RT GEAR BIG SIDE MOUNTING ASSEMBLY 1.25 MTR (SINGLE SPEED)	78750010	1
	RT GEAR BIG SIDE MOUNTING ASSEMBLY 1.50 MTR (MULTISPEED)	78750019	1
	RT GEAR BIG SIDE MOUNTING ASSEMBLY 1.50 MTR (MULTISPEED) C TYPE	78750031	1
	RT GEAR BIG SIDE MOUNTING ASSEMBLY 1.50 MTR (SINGLE SPEED)	78750016	1
	RT GEAR BIG SIDE MOUNTING ASSEMBLY 1.75 MTR (MULTISPEED)	78750020	1
	RT GEAR BIG SIDE MOUNTING ASSEMBLY 1.75 MTR (MULTISPEED) C TYPE	78750033	1
	RT GEAR BIG SIDE MOUNTING ASSEMBLY 1.75 MTR (ROBUST MULTISPEED)	78750023	1
	RT GEAR BIG SIDE MOUNTING ASSEMBLY 1.75 MTR (ROBUST SINGLE SPEED)	78750036	1
	RT GEAR BIG SIDE MOUNTING ASSEMBLY 1.75 MTR (SINGLE SPEED)	78750017	1
	RT GEAR BIG SIDE MOUNTING ASSEMBLY 1.00 MTR (SINGLE SPEED)	78750009	1
	RT GEAR BIG SIDE MOUNTING ASSEMBLY 2.00 MTR (ROBUST SINGLE SPEED)	78750040	1
	RT GEAR BIG SIDE MOUNTING ASSEMBLY 2.00 MTR (MULTISPEED)	78750021	1
	RT GEAR BIG SIDE MOUNTING ASSEMBLY 2.00 MTR (MULTISPEED) C TYPE	78750034	1
	RT GEAR BIG SIDE MOUNTING ASSEMBLY 2.00 MTR (SINGLE SPEED)	78750018	1
	RT GEARBOX SIDE MOUNTING PIPE ASSEMBLY 2.25 MTR (MULTI SPEED)	78750062	1
	RT GEAR BIG SIDE MOUNTING ASSEMBLY 2.00 MTR(ROBUST MULTISPEED)	78750024	1
	RT GEAR BIG SIDE MOUNTING ASSEMBLY 2.25 MTR (ROBUST MULTISPEED)	78750025	1
	RT GEAR BIG SIDE MOUNTING ASSEMBLY 2.25 MTR (ROBUST SINGLE SPEED)	78750041	1
	RT GEAR BIG SIDE MOUNTING ASSEMBLY 2.50 MTR (ROBUST MULTISPEED)	78750026	1
	RT GEAR BIG SIDE MOUNTING ASSEMBLY 2.75 MTR (ROBUST MULTISPEED)	78750027	1
2	DEAD HUB SIDE PLATE BIG - 18x33x28	78910002	1
	DEAD HUB SIDE PLATE BIG - 19x33x25	78910003	
3	HEX HEAD BOLT M10x1.5x35	10260353	6
4	SPRING WASHER 10MM	10270002	6
5	NYLOCK NUT M10X1.5MM	10280002	6

SR.NO.	PLANK GUARD	ERP CODE	QTY
1	PLANK GUARD LHS	10150029	1
2	PLANK GUARD RHS	10150031	1
1	PTO SAFETY COVER	10150025	1

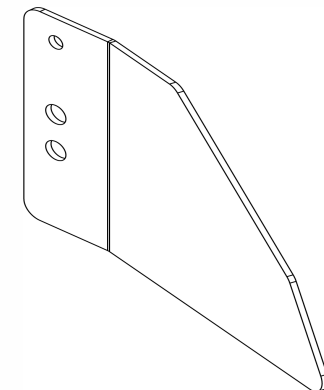
## BOTH SIDE PIPE



## PTO SAFETY COVER



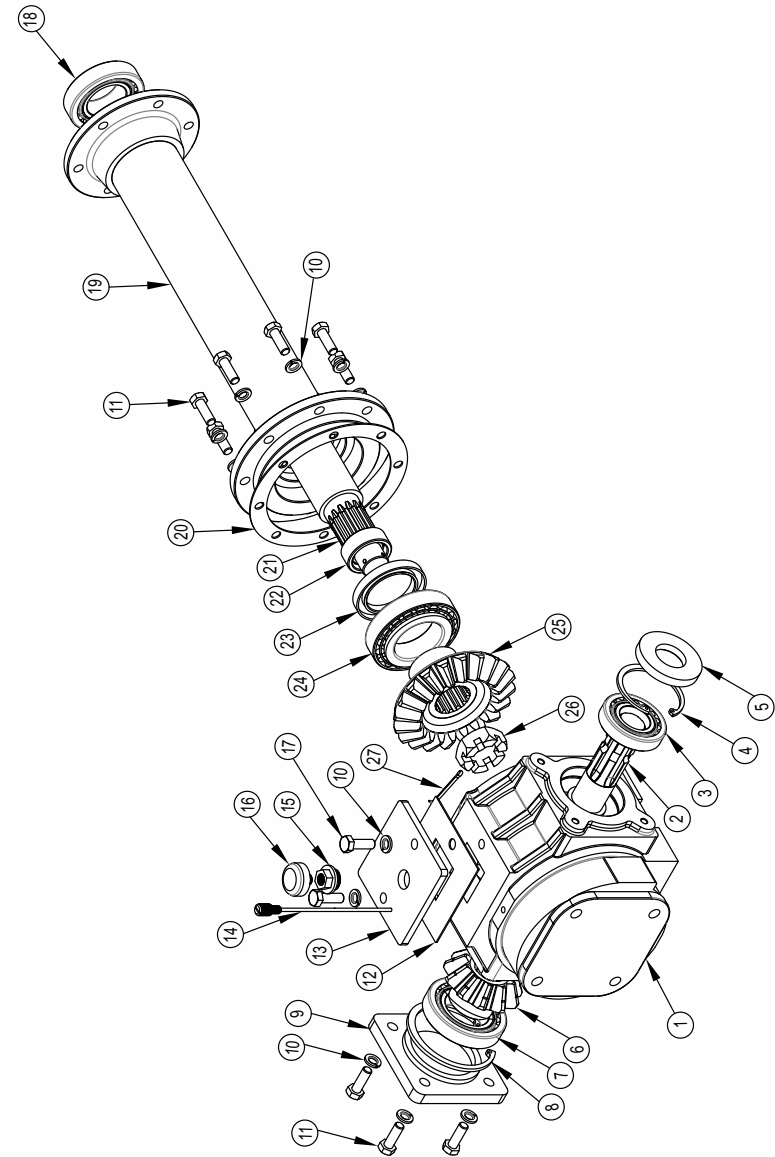
## PLANK GAURD





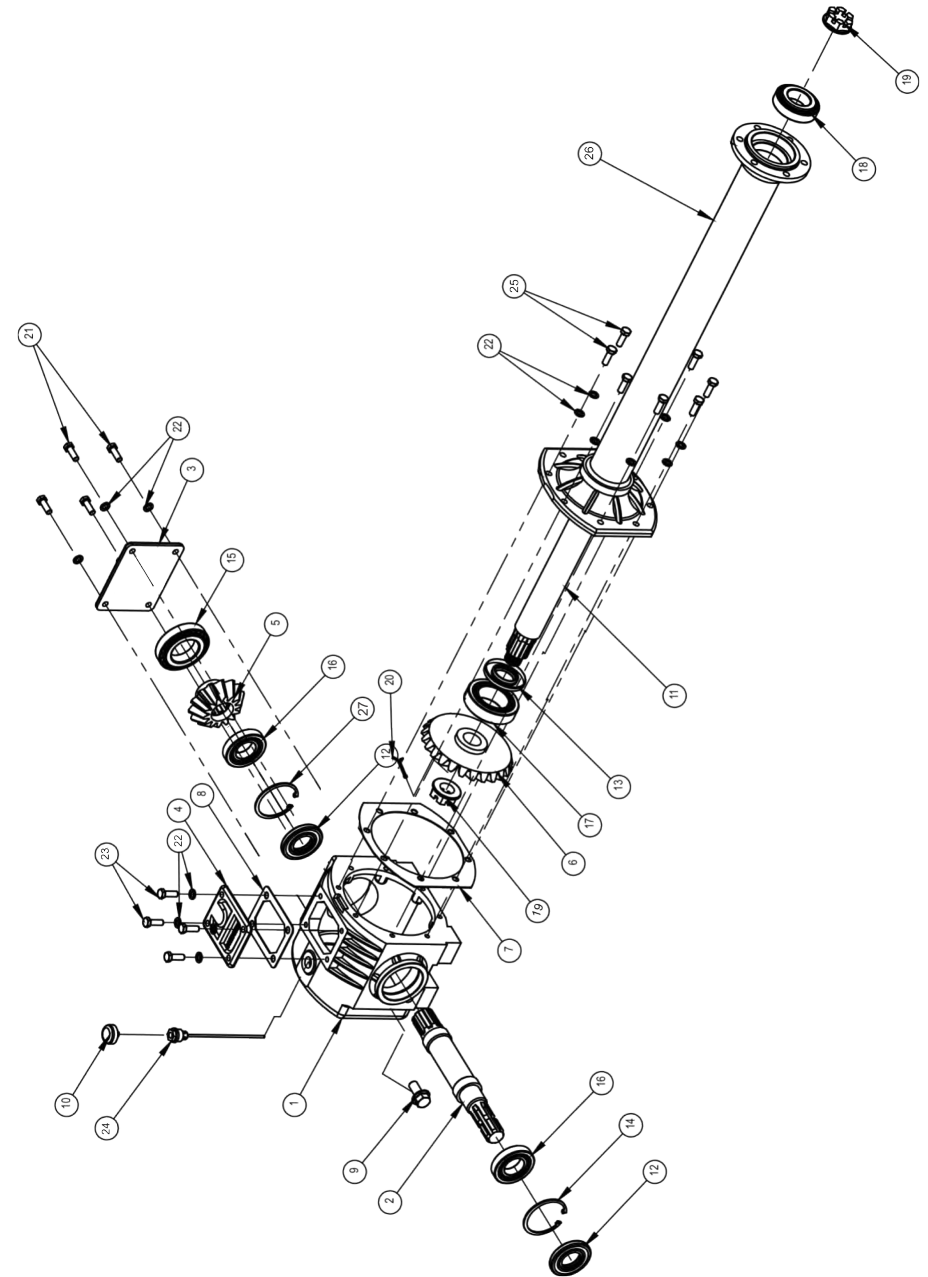
SINGLESPEED(11X20) GEARBOX ASSEMBLY			
SR. NO	DESCRIPTION	ITEM CODE	QTY
1	GEAR BOX HOUSING (SINGLE SPEED)11X20	10080001	1
2	PINION SHAFT (SINGLE SPEED)	10290010	1
3	BEARING 30207	10050100	1
4	CIRCLIP 72MM (INTERNAL)	10390022	1
5	OIL SEAL 35X72X10	10010001	1
6	PINION GEAR 11TX6 SPLINES	10250018	1
7	BEARING 30210	10050097	1
8	CIRCLIP 95MM	10390014	1
9	GEAR BOX REAR BEARING PLATE (SINGLE SPEED)	73620002	1
10	SPRING WASHER 10MM	10270002	14
11	HEX HEAD BOLT M10X30X1.5MM	10260396	12
12	GASKET TOP PLATE GEAR BOX 109X109X1.5MM (11X20)	10040033	1
13	GEAR BOX TOP PLATE	73620003	1
14	DIP STICK	10300001	1
15	BREATHER NUT 22X1.5MM	10280010	1
16	BREATHER VALVE	10190001	1
17	HEX HEAD BOLT M10X25X1.5MM	10260361	2
18	BEARING 32209	10050013	1
19	TRANSMISSION PIPE ASSEMBLY (1.25 MTS.)	71590004	1
	TRANSMISSION PIPE ASSEMBLY-1.45 MTR	73830001	
	TRANSMISSION PIPE ASSEMBLY-1.65 MTR	73840001	
	TRANSMISSION PIPE ASSEMBLY-1.85 MTR	73850001	
	TRANSMISSION PIPE ASSEMBLY-2.05 MTR	73850001	
20	GASKET BIG FLANGE (8 HOLE) SS	10040009	1
21	TRANSMISSION SHAFT-1408S-S125	10290006	1
	TRANSMISSION SHAFT 1408S-S145	10290112	
	TRANSMISSION SHAFT 1408S-S165	10290113	
	TRANSMISSION SHAFT 1408S-S185	10290114	
	TRANSMISSION SHAFT 1408S-S205	10290114	
22	TRANSMISSION SHAFT BUSH	10070038	1
23	OIL SEAL 55X80X10	10010002	1
24	BEARING 32211	10050009	1
25	BEVEL GEAR 20TX14 SPLINES	10250007	1
26	CASTLE NUT M30X1.5M	10280093	1
27	SPLIT PIN 1/8X2.5 INCH	10020097	1

REGULAR SINGLE SPEED GEAR BOX ASSEMBLY



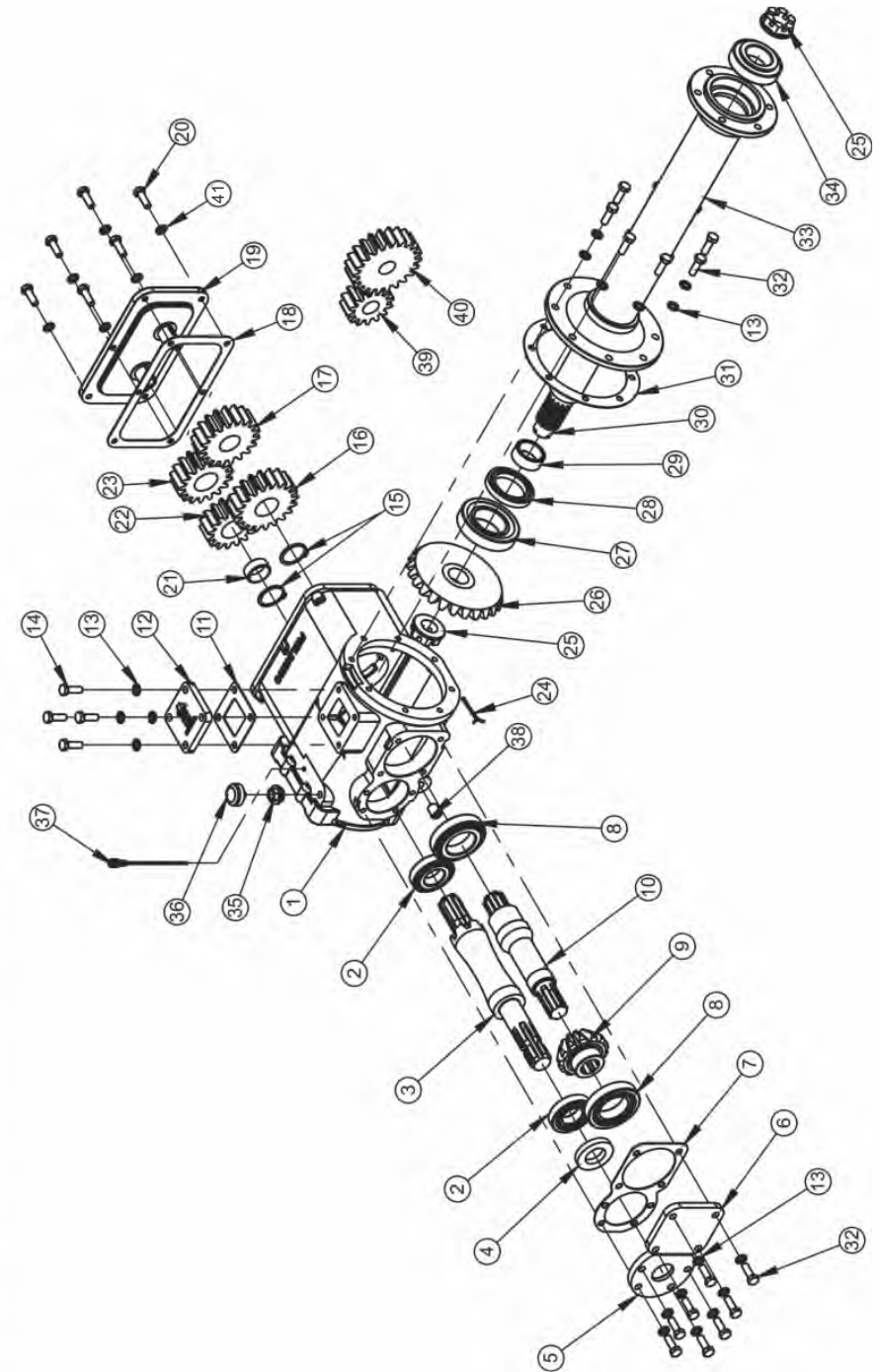
ROBUST SINGLE SPEED GEAR BOX ASSEMBLY (14X25)			
SL. NO.	PART DESCRIPTION	ITEM CODE	QTY.
1	ROBUST GEAR BOX HOUSING	10080005	1
2	PINION SHAFT (ROBUST)	10290023	1
3	ROBUST GEAR BOX REAR BEARING PLATE	70090007	1
4	ROBUST GEAR BOX TOP PLATE	70090008	1
5	PINION GEAR 14 TEETH, 8 SPLINES	10250024	1
6	BEVEL GEAR 25 TEETH, 8 SPLINES	10250022	1
7	ROBUST GASKET BIG FLANGE	10040037	1
8	ROBUST GASKET TOP PLATE	10040061	1
9	DRAIN PLUG	10300118	1
10	HEX BOLT M12X20X1.75	10260408	1
	BREATHER VALVE	10190001	1
	<b>TRANSMISSION SHAFT</b>		
11	TRANSMISSION SHAFT 1.50 MTR.	10290060	1
	TRANSMISSION SHAFT 1.75 MTR.	10290030	1
	TRANSMISSION SHAFT 2.00 MTR.	10290061	1
	TRANSMISSION SHAFT 2.25 MTR.	10290046	1
12	OIL SEAL 40X80X10	10010005	1
13	OIL SEAL 60X80X10	10010065	1
14	CIRCLIP 80 MM	10390005	1
15	BEARING 30211	10050050	1
16	BEARING 30208	10050087	1
17	BEARING 33112	10050088	1
18	BEARING 32209	10050013	1
19	CASTLE NUT M30X1.5	10280093	2
20	SPLIT PIN 1/8 2.5"	10020097	2
21	HEX BOLT M10X30X1.5	10260396	4
22	SPRING WASHER M10	10270002	16
23	HEX. HEAD BOLT M10X25X1.5	10260361	4
24	BREATHER NUT WITH HOLLOW DIPSTICK ASSEMBLY	73620006	1
25	HEX HEAD BOLT M10X35X1.5	10260353	8
	<b>TRANSMISSION PIPE ASSEMBLY</b>		
26	TRANSMISSION PIPE ASSEMBLY 1.50 MTR.	74380008	1
	TRANSMISSION PIPE ASSEMBLY 1.75 MTR.	73960001	1
	TRANSMISSION PIPE ASSEMBLY 2.00 MTR.	74380009	1
	TRANSMISSION PIPE ASSEMBLY 2.25 MTR.	74380001	1
27	CIRCLIP 100MM	10390007	1

ROBUST SINGLE SPEED GEAR BOX ASSEMBLY (14X25)



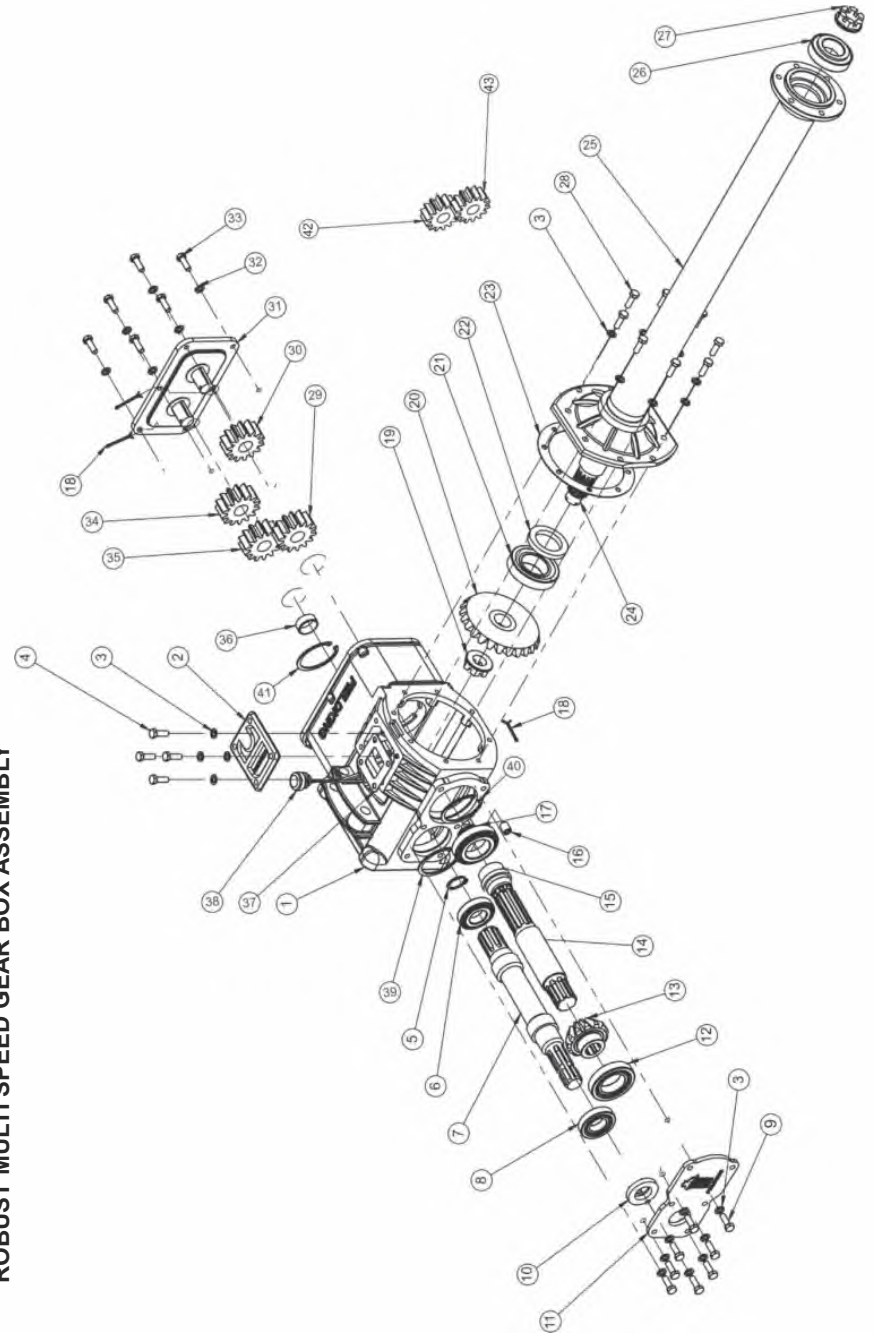
REGULAR MULTI SPEED GEAR BOX ASSEMBLY (13X25)			
SR. NO.	DESCRIPTION	ITEM CODE	QTY.
1	GEAR BOX HOUSING (13X25 MULTISPEED)	10080002	1
2	BEARING 30207	10050100	2
3	DRIVE SHAFT	10290001	1
4	OIL SEAL 35X62X10	10010006	1
5	MULTI SPEED GEAR BOX FRONT BEARING PLATE ROUND	71940007	1
6	MULTI SPEED GEAR BOX FRONT BEARING PLATE SQUARE	71940008	1
7	GASKET FRONT BEARING PLATE	10040074	1
8	BEARING 30210	10050097	2
9	PINION GEAR 13T-6S	10250016	1
10	PINION SHAFT	10290025	1
11	GASKET GEAR BOX TOP PLATE	10040042	1
12	GEAR BOX TOP PLATE	71940009	1
13	SPRING WASHER 10MM	10270002	20
14	HEX HEAD BOLT M10X1.5X25	10260361	4
15	EXTERNAL CIRCLIP 35 MM	10390029	2
16	SPUR GEAR 20T -6S	10250013	1
17	SPUR GEAR 19T -6S	10250033	1
18	GASKET MULTI SPEED GEAR BOX REAR BEARING PLATE	10040075	1
19	GEAR BOX REAR PLATE	71940010	1
20	HEX HEAD BOLT M8X1.25X30	10260456	6
21	SPACER BUSH DRIVE SHAFT	10070064	1
22	SPUR GEAR 16T -6S	10250032	1
23	SPUR GEAR 17T -6S	10250010	1
24	SPLIT PIN LOCK 1/8 2.5 INCH	10020097	1
25	CASTLE NUT M30X1.5	10280093	2
26	BEVEL GEAR 25T-14S	10250025	1
27	BEARING 32211	10050009	1
28	OIL SEAL 55X80X10	10010002	1
29	TRANSMISSION SHAFT BUSH 21MM	10070066	1
30	TRANSMISSION SHAFT 1408S 1.00 MTR	10290160	1
	TRANSMISSION SHAFT 1408S 1.25 MTR	10290150	
	TRANSMISSION SHAFT 1408S 1.50 MTR	10290094	
	TRANSMISSION SHAFT 1408S 1.75 MTR	10290095	
	TRANSMISSION SHAFT 1408S 2.00 MTR	10290096	
	TRANSMISSION SHAFT 1408S 2.25 MTR	10290159	
31	GASKET BIG FLANGE TRANSMISSION PIPE	10040046	1
32	HEX HEAD BOLT M10X1.5X30	10260396	16
33	TRANSMISSION PIPE ASSEMBLY 1.00 MTR	73820002	1
	TRANSMISSION PIPE ASSEMBLY 1.25 MTR	73920002	
	TRANSMISSION PIPE ASSEMBLY 1.50 MTR	73830002	
	TRANSMISSION PIPE ASSEMBLY 1.75 MTR	73840002	
	TRANSMISSION PIPE ASSEMBLY 2.00 MTR	73850002	
	TRANSMISSION PIPE ASSEMBLY 2.25 MTR	10290149	
34	BEARING 32209	10050013	1
35	BREATHER NUT M22X1.5	10280010	1
36	BREATHER VALVE	10190001	1
37	DIP STICK	10300122	1
38	DRAIN PLUG	10300118	1
39	SPUR GEAR 14T -6S (1000 RPM)	10250041	1
40	SPUR GEAR 22T -6S (1000 RPM)	10250042	1
41	SPRING WASHER 8MM	10270001	6

REGULAR MULTISPEED (13X25) GEAR BOX ASSEMBLY



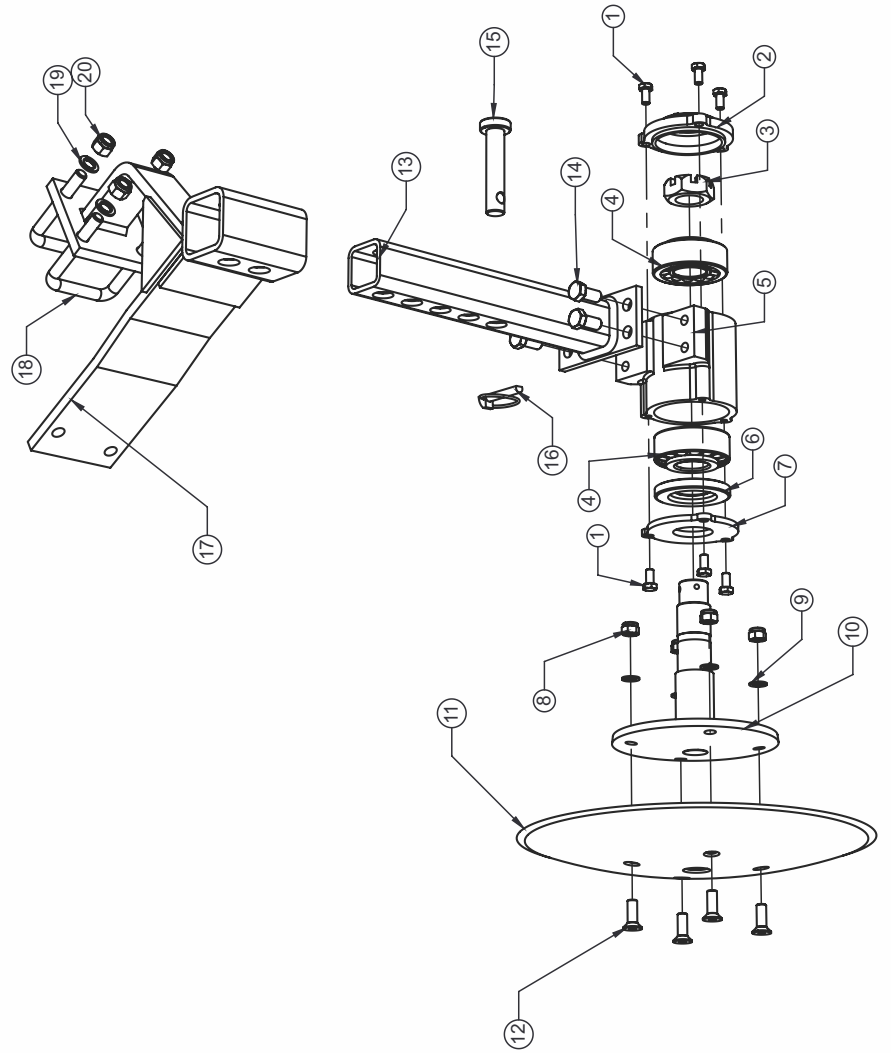
ROBUST (14x25) MULTI SPEED			
SL. NO.	PART DESCRIPTION	ITEM CODE	QTY
1	GEAR BOX HOUSING MULTISPEED	10080007	1
2	MS GEAR BOX TOP PLATE	70090008	1
3	SPRING WASHER M10	10270002	18
4	HEX HEAD BOLT M10X1.5X25	10260361	4
5	EXTERNAL CIRCLIP 42 MM	10390015	2
6	BEARING 30209	10050018	1
7	DRIVE SHAFT 402 MM LENGTH	10290045	1
8	BEARING 32208	10050021	1
9	HEX HEAD BOLT M10X1.5X30	10260396	6
10	OIL SEAL 40X80X10	10010005	1
11	ROBUST M.SPEED FRONT BEARING PLATE	70090009	1
12	BEARING 30211	10050050	1
13	PINION GEAR 14 TEETH/8 SPLINES	10250024	1
14	PINION SHAFT 287 MM LENGTH	10290044	1
15	SPLINED BUSH PINION SHAFT 8 SPLINES	10070062	1
16	DRAIN PLUG	10300118	1
17	BEARING 30211	10050050	1
18	SPLIT PIN 1/8 X 2.5INCH	10020097	2
19	CASTLE NUT 30X1.5	10280093	1
20	BEVEL GEAR 25 TEETH-8 SPLINES	10250022	1
21	BEARING 33112	10050088	1
22	OIL SEAL 60X80X10	10010065	1
23	GASKET BIG FLANGE MS	10040037	1
	<b>TRANSMISSION SHAFT</b>		
	TRANSMISSION SHAFT 1.25 MTR.	10290072	
	TRANSMISSION SHAFT 1.50 MTR.	10290056	
	TRANSMISSION SHAFT 1.75 MTR.	10290057	
	TRANSMISSION SHAFT 2.00 MTR.	10290058	
	TRANSMISSION SHAFT 2.25 MTR.	10290059	
	TRANSMISSION SHAFT 2.50 MTR.	10290062	
	TRANSMISSION SHAFT 2.75 MTR.	10290063	
	<b>TRANSMISSION PIPE ASSEMBLY</b>		
	TRANSMISSION PIPE ASSEMBLY 1.25 MTR.	74380016	
	TRANSMISSION PIPE ASSEMBLY 1.50 MTR.	74380010	
	TRANSMISSION PIPE ASSEMBLY 1.75 MTR.	74380011	
	TRANSMISSION PIPE ASSEMBLY 2.00 MTR.	74380012	
	TRANSMISSION PIPE ASSEMBLY 2.25 MTR.	74380013	
	TRANSMISSION PIPE ASSEMBLY 2.50 MTR.	74380014	
	TRANSMISSION PIPE ASSEMBLY 2.75 MTR.	74380015	
24			1
25			1
26	BEARING 32209	10050013	1
27	CASTLE NUT 30X1.5	10280093	1
28	HEX HEAD BOLT M10X1.5X35	10260353	8
29	SPUR GEAR 20 TEETH 8 SPLINE	10250047	1
30	SPUR GAER 19 TEETH 8 SPLINE	10250046	1
31	ROBUST BACK COVER PLATE GEAR BOX HOUSING	10150018	1
32	SPRING WASHER M8	10270001	6
33	HEX HEAD BOLTM8X1.5X25	10260360	6
34	SPUR GAER 17 TEETH-8SPLINE	10250045	1
35	SPUR GEAR 16 TEETH-8SPLINE	10250044	1
36	SPACER DRIVE SHAFT ROBUST MULTI	10290042	2
37	GASKET TOP PLATE	10040061	1
38	ROBUST DIP STICK	10300120	1
39	INTERNAL CIRCLIP B80	10390005	1
40	CIRCLIP 100MM	10390007	1
41	CIRCLIP 85 MM	10390032	1
42	SPUR GAER 14 TEETH 8 SPLINE	10250043	1
43	SPUR GAER 22 TEETH 8 SPLINE	10250048	1

ROBUST MULTI SPEED GEAR BOX ASSEMBLY



SIDE DISC ASSEMBLY (78960001)			
SR. NO.	DESCRIPTION	ITEM CODE	QTY.
1	HEX BOLT M8X20X1.25	10260387	6
2	SIDE DISC HUB FRONT COVER	10150007	2
3	SLOTTED NUT M30X1.5	10280012	1
4	BEARING 32307	10050008	2
5	SIDE DISC HUB	10090001	1
6	OIL SEAL 40X80X10	10010005	1
7	SIDE DISC HUB BACK COVER	10150008	1
8	NYLOCK NUT M10X1.5MM	10280002	4
9	SPRING WASHER 10MM	10270002	4
10	SIDE DISC HUB AXLE (COMPLETE SET)	10110001	1
11	PLAIN DISC 14 INCH (SIDE DISC RT)	10240001	1
12	CSK BOLT M10X35X1.5MM	10260027	4
13	SIDE DISC MOUNTING PIPE ASSEMBLY	73460001	1
14	HEX HEAD BOLT 12X20X1.75MM (8.8 GRADE)	10260408	4
15	PIN 19X90MM	10020026	1
16	LINCH PIN 10MM	10020022	1
17	SIDE DISC ATTACHMENT FRAME ASSEMBLY	73450001	1
18	U-CLAMP 100X62X12	10220028	2
19	SPRING WASHER 12MM	10270003	4
20	NYLOCK NUT M12X1.5(P)	10280003	4

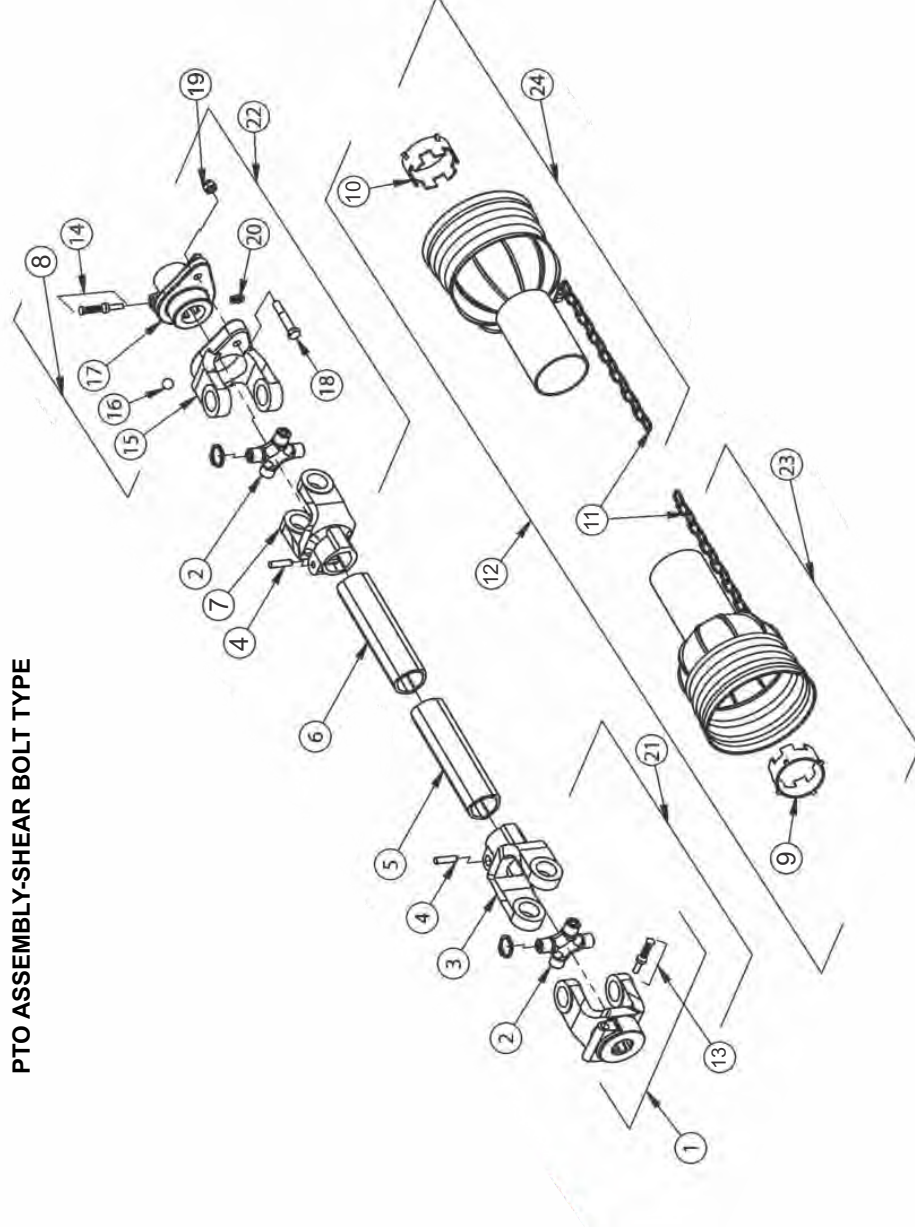
SIDE DISC ATTACHMENT ASSEMBLY



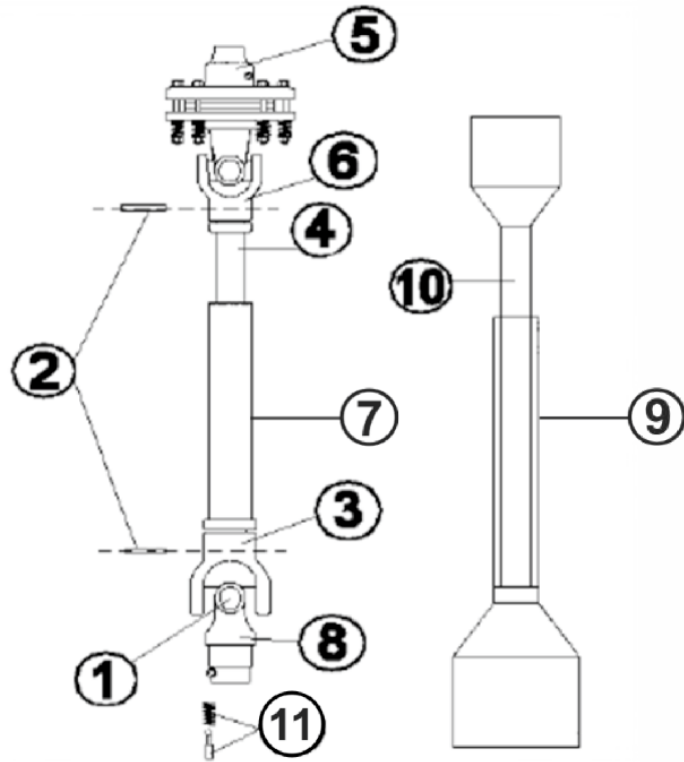
Rotary Tiller PTO Shaft

Sr No.	Description	Part Code			
		540 RPM		1000 RPM	
		CUT	FULL	CUT	FULL
1	PTO PUSH PIN YOKE WITH PIN - 38.05.10B (12X10)	10310059	10310060	10310083	10310084
2	PTO CROSS JOURNAL SET-38.01	10310073		10310065	
3	PTO OUTER TUBE YOKE -38			10310097	
4	DOWEL PIN 10X80 MM			10020118	
5	INNER TUBE	10310039			
6	OUTER TUBE	10310040			
7	PTO INNER TUBE YOKE -38			10310096	
8	PTO COMPLETE SHEAR BOLT ASSEMBLY (6SPLINE)- 38SBT (12X10)	10310011		10310071	
9	GUARD RETAINING COLLAR FOR OUTER TUBE	10310012			
10	GUARD RETAINING COLLAR FOR INNER TUBE	10310013			
11	SAFETY CHAINS	10310014	10310047	10310014	10310047
12	COMPLETE GUARD ASSEMBLY			10310077	
13	PTO PUSH PIN SET-14X69 (Small)			10310078	
14	PTO PUSH PIN SET-14X91 (Big)			10310030	
15	YOKE FOR B02			10310017	
16	BALL 5/16"			10310042	
17	HUB B02				
18	HEX HEAD BOLT M10X65X1.5MM SAFETY BOLT	10260046			
19	NYLOCK NUT M10X1.5MM	10280002			
20	GREASE FITTING	10310019			
21	U-JOINT FOR OUTER TUBE	10310020		10310056	
22	U-JOINT FOR INNER TUBE		10310021		
23	HALF FEMALE GUARD ASSY.	10310048	10310051	10310048	10310051
24	HALF MALE GUARD ASSY.	10310049	10310050	10310049	10310050

PTO ASSEMBLY-SHEAR BOLT TYPE

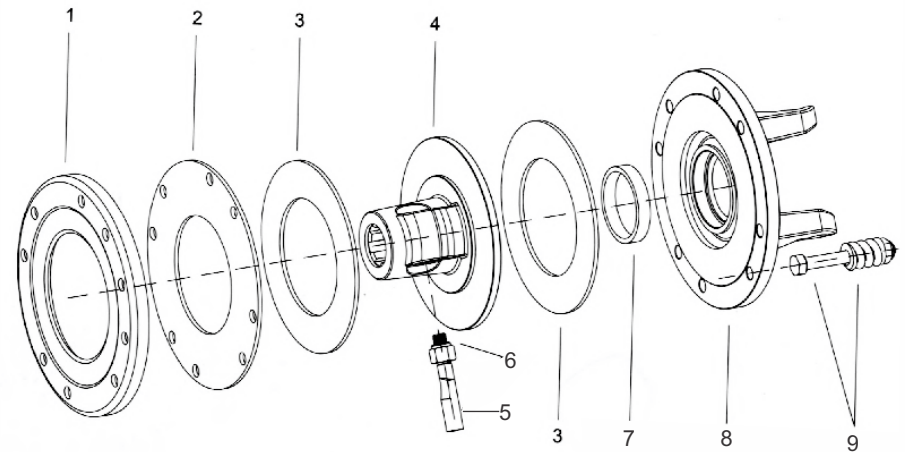


**PTO SHAFT ASSEMBLY - SLIP CLUTCH TYPE (10310062)**  
(Optional)



S.No.	DESCRIPTION	ITEM CODE	QTY
1	CROSS JOURNAL SET	10310003	2
2	SPRING DOWEL PIN SET (SLIP CLUTCH PTO)	10210031	2
3	OUTER TUBE YOKE	10310004	1
4	INNER TUBE (CUT PTO)	10310039	1
5	SLIP CLUTCH ASSEMBLY	10310127	1
6	INNER TUBE YOKE	10310009	1
7	OUTER TUBE (CUT PTO)	10310040	1
8	PUSH PIN YOKE WITH PIN (6 SPLINES)	10310002	1
9	HALF FEMALE GUARD ASSY. (CUT)	10310048	1
10	HALF MALE GUARD ASSY. (CUT)	10310049	1
11	PUSH PIN SET	10310015	1

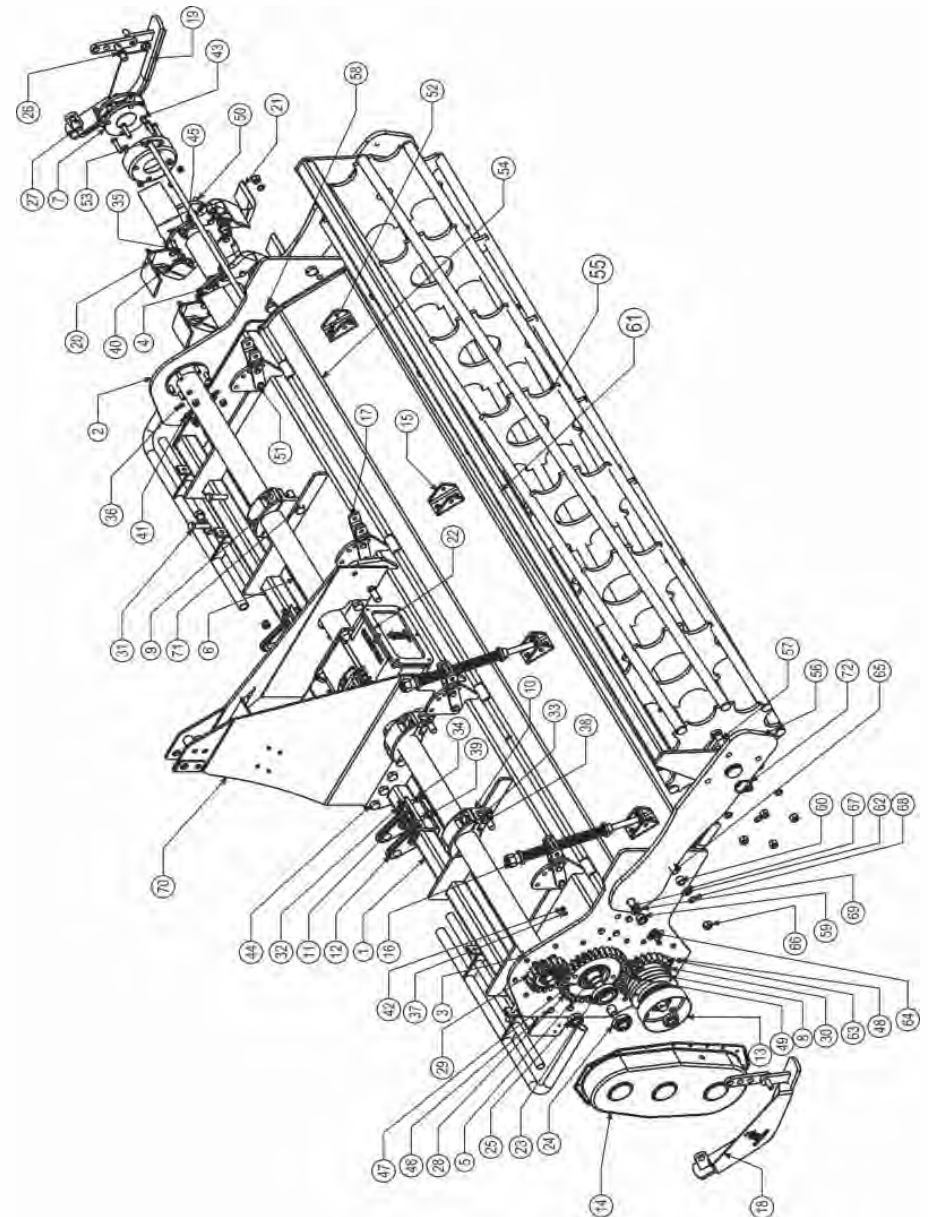
**SLIP CLUTCH ASSEMBLY (10310127)**



SLIP CLUTCH ASSEMBLY(10310127)			
SR.NO.	PART NAME	ITEM CODE	QTY
1	PRESSURE PLATE	10310128	1
2	INTERNAL DISC	10310129	1
3	FRICITION LINING	10310130	2
4	HUB	10310131	1
5	HUB BOLT M12X70X1.75P	10260407	2
6	NYLOCK NUT M12X1.75P	10280025	2
7	BUSHING	10310132	1
8	FLANGED SPLINE	10310133	1
9	COMPLETE BOLT & SPRING	10310134	8

ROTARY TILLER WITH CRUMBLER COMPLETE ASSEMBLY							
SR NO.	DESCRIPTION	ITEM CODE			QTY.		
		2.25M	2.50M	2.75M	2.25M	2.50M	2.75M
1	FRAME ASSEMBLY ROTARY TILLER	72990001	73010001	73020001			1
2	RT SIDE PLATE LHS (19X33X25) CRUMBLER TYPE		73590008				1
3	RT SIDE PLATE RHS (19X33X25) CRUMBLER TYPE		73590007				1
4	ROTOR ASSEMBLY (OIL SEAL TYPE)	73230001	73240001	73250001			1
5	IDLER PIN (NEW)		10020004				1
6	RT GEARBOX SIDE MOUNTING PIPE ASSEMBLY (ROBUST MULTISPEED)	78750025	78750026	78750027			1
7	DEAD HUB ASSEMBLY (OIL SEAL TYPE)		73480001				1
8	RD HUB ASSEMBLY (OIL SEAL TYPE)		73510001				1
9	TRANSMISSION PIPE CLAMP UPPER (HEAVY DUTY)		10220021				4
10	TRANSMISSION PIPE CLAMP LOWER (HEAVY DUTY)		10220022				4
11	RT FRONT LINK BRACKET LOWER NEW		10120005				2
12	RT FRONT LINK BRACKET UPPER NEW		10120006				4
13	ROTOR COVER		10150003				2
14	GEAR COVER		10150006				1
15	SHOCKER-PLANK ATTACHMENT (U-CLAMP) 8MM (T)		10220003				4
16	SHOCKER ASSEMBLY ROTARY TILLER		73180001				4
17	RT FRAME SHOCKER HOLDING CLAMP		70020012				8
18	DEPTH SKID ASSEMBLY (RHS)		71570001				1
19	DEPTH SKID ASSEMBLY (LHS)		73420001				1
20	HOE RHS (L TYPE) (I) (80X7MM)		10060017		27	30	33
21	HOE LHS (L TYPE) (I) (80X7MM)		10060016		27	30	33
22	ROBUST GEAR BOX COMPLETE ASSEMBLY	74760009	74760015	74760016			1
23	BEARING 32209		10050013				2
24	CASTLE NUT M36X2P		10280071				1
25	CASTLE NUT M30X1.5M		10280093				2
26	DEPTH SKID PIN 69		10020002				2
27	DEPTH SKID PIN 90		10020001				2
28	SPUR GEAR 33T (NEW)		10250015				1
29	SPUR GEAR 19TX8 SPLINES		10250029				1
30	SPUR GEAR 25TX10 SPLINES		10250030				1
31	HEX HEAD BOLT 16X65X2MM (8.8 GRADE)		10260378				8
32	HEX HEAD BOLT 12X60X1.75MM (8.8 GRADE)		10260356				8
33	SPRING WASHER 16MM		10270005				8
34	SPRING WASHER 12MM		10270003				48
35	SPRING WASHER 14MM		10270004		122	134	158
36	SPRING WASHER 10MM		10270002				14
37	SPRING WASHER 8MM		10270001				20
38	NYLOCK NUT M16X2MM		10280005				8
39	NYLOCK NUT M12X1.75 (P)		10280025				41
40	NYLOCK NUT M14X1.5 (P)		10280004		122	134	158
41	NYLOCK NUT M10X1.5 (P)		10280002				31
42	NYLOCK NUT M8X1.5 (P)		10280027				20
43	HEX HEAD BOLT 10X40X1.5 MM (8.8 GRADE)		10260979				34
44	HEX HEAD BOLT 14X40X1.5MM (8.8 GRADE)		10260357				10
45	HEX HEAD BOLT 14X40X1.5MM (8.8 GRADE)		10260357		108	120	132
46	HEX HEAD BOLT M12X40X1.75MM (8.8 GRADE)		10260355				7
47	SPLIT PIN 1/8X2.5 INCH		10020097				5
48	HEX HEAD BOLT M8X25X1.25MM (8.8 GRADE)		10260360				16
49	HEX HEAD BOLT M8X40X1.25MM (8.8 GRADE)		10260373				2
50	HEX HEAD BOLT M16X35X1.5MM (8.8 GRADE)		10260369				8
51	HEX HEAD BOLT M12X50X1.75MM		10260363				8
52	CSK BOLT 10X35X1.5MM (8.8 GRADE)		10260113				8
53	PLANK ROD ASSEMBLY	70020028	70020039	70020040			1
54	PLANK ASSEMBLY ROTARY TILLER CRUMBLER TYPE	73110004	73120004	73130009			1
55	CRUMBLER	79410043	79410039	79410033			1
56	PACKER ROLLER MOUNTING PLATE		79410013				2
57	UC BEARING F211 (NRB)		10050146				2
58	BUSH 28X17		79410021				2
59	BUSH 28X21		79410022				2
60	SPACER-26X18X20		79410023				2
61	CRUMBLER TOP SUPPORT ASSEMBLY	79410045	79410042	79410036			1
62	HEX HEAD BOLT M20X65X2.5P		10260316				2
63	NYLOCK NUT M20X2.5MM		10280021				2
64	SPRING WASHER 20MM		10270016				2
65	HEX HEAD BOLT M18X65X2.5MM (8.8 GRADE)		10260376				10
66	NYLOCK NUT M18X2.5MM		10280020				10
67	PLAIN WASHER 18MM		10270021				2
68	SPRING WASHER 18MM		10270006				9
69	PLAIN WASHER 20MM		10270012				2
70	3-POINT LINKAGE ASSEMBLY (ROBUST ROTARY TILLER SERIES)	73580011		73580010			1
71	HEX HEAD BOLT M14X60X2MM (8.8 GRADE)		10260399				8
72	EXTERNAL CIRCLIP A55, 2MM. THICK		10390001				2

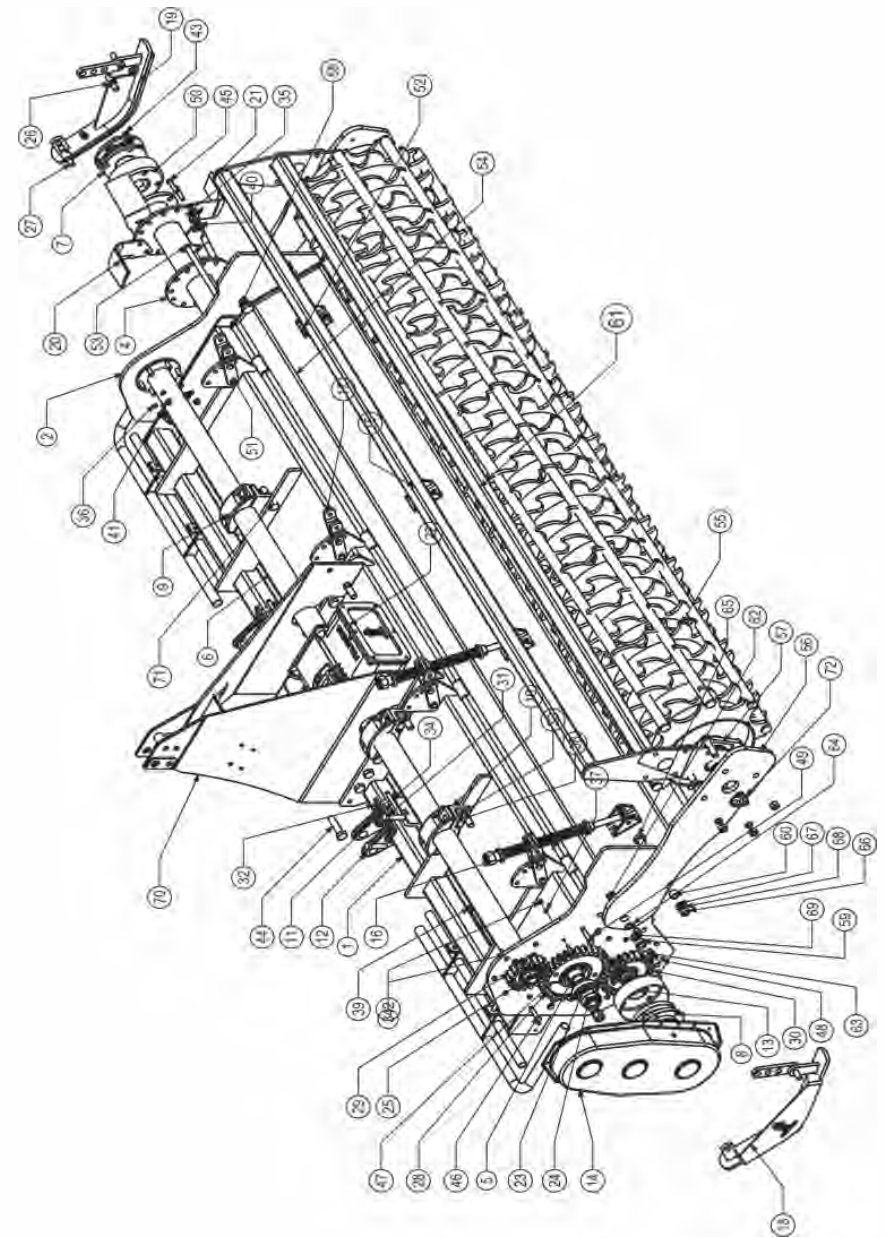
ROTARY TILLER WITH CRUMBLER COMPLETE ASSEMBLY





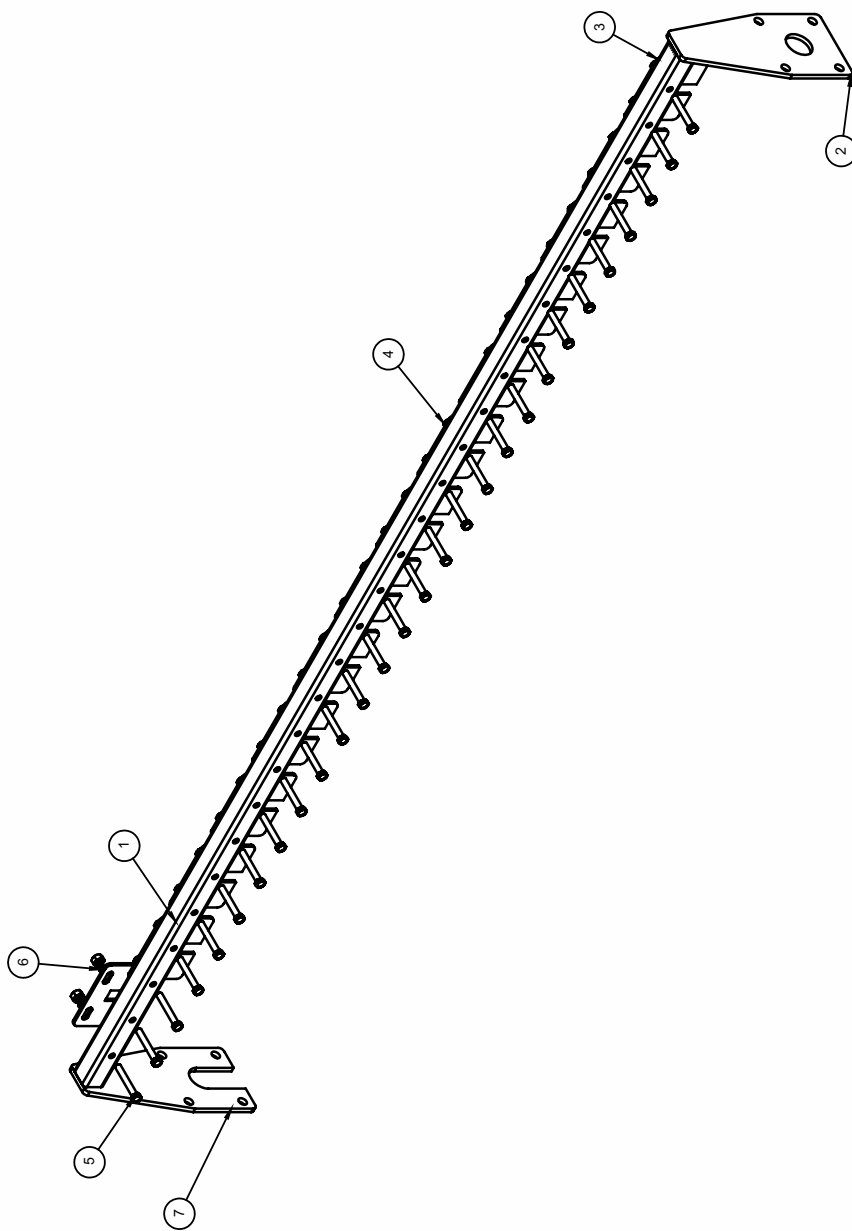
ROTARY TILLER WITH PACKER ROLLER COMPLETE ASSEMBLY							
SR NO.	DESCRIPTION	ITEM CODE			QTY.		
		2.25M	2.50M	2.75M	2.25M	2.50M	2.75M
1	FRAME ASSEMBLY ROTARY TILLER	72990001	73010001	73020001			1
2	RT SIDE PLATE LHS (19X33X25) CRUMBLER TYPE		73590008				1
3	RT SIDE PLATE RHS (19X33X25) CRUMBLER TYPE		73590007				1
4	ROTOR ASSEMBLY (OIL SEAL TYPE)	73230001	73240001	73250001			1
5	IDLER PIN (NEW)		10020004				1
6	RT GEARBOX SIDE MOUNTING PIPE ASSEMBLY (ROBUST MULTISPEED)	78750025	78750026	78750027			1
7	DEAD HUB ASSEMBLY (OIL SEAL TYPE)		73480001				1
8	RD HUB ASSEMBLY (OIL SEAL TYPE)		73510001				1
9	TRANSMISSION PIPE CLAMP UPPER (HEAVY DUTY)		10220021				4
10	TRANSMISSION PIPE CLAMP LOWER (HEAVY DUTY)		10220022				4
11	RT FRONT LINK BRACKET LOWER NEW		10120005				2
12	RT FRONT LINK BRACKET UPPER NEW		10120006				4
13	ROTOR COVER		10150003				2
14	GEAR COVER		10150006				1
15	SHOCKER-PLANK ATTACHMENT (U-CLAMP) 8MM (T)		10220003				4
16	SHOCKER ASSEMBLY ROTARY TILLER		73180001				4
17	RT FRAME SHOCKER HOLDING CLAMP		70020012				8
18	DEPTH SKID ASSEMBLY (RHS)		71570001				1
19	DEPTH SKID ASSEMBLY (LHS)		73420001				1
20	HOE RHS (L TYPE) (I) (80X7MM)		10060017		27	30	33
21	HOE LHS (L TYPE) (I) (80X7MM)		10060016		27	30	33
22	ROBUST GEAR BOX COMPLETE ASSEMBLY	74760009	74760015	74760016			1
23	BEARING 32209		10050013				2
24	CASTLE NUT M36X2P		10280071				1
25	CASTLE NUT M30X1.5M		10280093				2
26	DEPTH SKID PIN 69		10020002				2
27	DEPTH SKID PIN 90		10020001				2
28	SPUR GEAR 33T (NEW)		10250015				1
29	SPUR GEAR 19TX8 SPLINES		10250029				1
30	SPUR GEAR 25TX10 SPLINES		10250030				1
31	HEX HEAD BOLT 16X65X2MM (8.8 GRADE)		10260378				8
32	HEX HEAD BOLT 12X60X1.75MM (8.8 GRADE)		10260356				8
33	SPRING WASHER 16MM		10270005				8
34	SPRING WASHER 12MM		10270003				48
35	SPRING WASHER 14MM		10270004		122	134	158
36	SPRING WASHER 10MM		10270002				14
37	SPRING WASHER 8MM		10270001				20
38	NYLOCK NUT M16X2MM		10280005				8
39	NYLOCK NUT M12X1.75 (P)		10280025				41
40	NYLOCK NUT M14X1.5 (P)		10280004		122	134	158
41	NYLOCK NUT M10X1.5 (P)		10280002				31
42	NYLOCK NUT M8X1.5 (P)		10280027				20
43	HEX HEAD BOLT 10X40X1.5 MM (8.8 GRADE)		10260979				34
44	HEX HEAD BOLT 14X40X1.5MM (8.8 GRADE)		10260357				10
45	HEX HEAD BOLT 14X40X1.5MM (8.8 GRADE)		10260357		108	120	132
46	HEX HEAD BOLT M12X40X1.75MM (8.8 GRADE)		10260355				7
47	SPLIT PIN 1/8X2.5 INCH		10020097				5
48	HEX HEAD BOLT M8X25X1.25MM (8.8 GRADE)		10260360				16
49	HEX HEAD BOLT M8X40X1.25MM (8.8 GRADE)		10260373				2
50	HEX HEAD BOLT M16X35X1.5MM (8.8 GRADE)		10260369				8
51	HEX HEAD BOLT M12X50X1.75MM		10260363				8
52	CSK BOLT 10X35X1.5MM (8.8 GRADE)		10260113				8
53	PLANK ROD ASSEMBLY	70020028	70020039	70020040			1
54	PLANK ASSEMBLY ROTARY TILLER CRUMBLER TYPE	73110004	73120004	73130009			1
55	PACKER AND ROLLER	79410031	79410029	79410012			1
56	PACKER ROLLER MOUNTING PLATE		79410013				2
57	UC BEARING F211 (NRB)		10050146				2
58	BUSH 28X17		79410021				2
59	BUSH 28X21		79410022				2
60	SPACER-26X18X20		79410023				2
61	PACKER ROLLER TOP SUPPORT ASSEMBLY	79410032	79410030	79410024			1
62	HEX HEAD BOLT M20X65X2.5P		10260316				2
63	NYLOCK NUT M20X2.5MM		10280021				2
64	SPRING WASHER 20MM		10270016				2
65	HEX HEAD BOLT M18X65X2.5MM (8.8 GRADE)		10260376				10
66	NYLOCK NUT M18X2.5MM		10280020				10
67	PLAIN WASHER 18MM		10270021				2
68	SPRING WASHER 18MM		10270006				9
69	PLAIN WASHER 20MM		10270012				2
70	3-POINT LINKAGE ASSEMBLY (ROBUST ROTARY TILLER SERIES)	73580011	73580010				1
71	HEX HEAD BOLT M14X60X2MM (8.8 GRADE)		10260399				8
72	EXTERNAL CIRCLIP A55, 2MM. THICK		10390001				2

ROTARY TILLER WITH PACKER ROLLER COMPLETE ASSEMBLY



PACKER ROLLER TOP SUPPORT ASSEMBLY							
SR. NO.	DESCRIPTION	ITEM CODE			QTY.		
		2.25M	2.5M	2.75M	2.25M	2.5M	2.75M
1	TOP SUPPORT PIPE	79410028	79410026	79410018	1		
2	SIDE PLATE FOR PACKER ROLLER (FULL HOLE)	79410048			1		
3	SCRAPPER	79410020			11	13	14
4	NYLOCK M12X1.75 P	10280025			24	26	28
5	HEX HEAD BOLT M12X85X1.75MM	10260212			24	26	28
6	SPRING WASHER 12 MM	10270003			24	26	28
7	SIDE PLATE FOR PACKER ROLLER (CUT HOLE)	79410019			1		

ROLLER SUPPORT COMPLETE ASSEMBLY





## DELIVERY CHECKLIST

Dealer Pre-Delivery (Please Tick)	Please Complete all Dealer information Below
<p><b>1. Dealer Pre-Delivery Checklist</b></p> <p>1. The customer or person responsible has been given the operator's manual.</p> <p>2. The customer undertakes to read the complete operator's manual and understands all aspects of the manual before operation of the machine.</p> <p>3. All safety, operational and maintenance information have been explained and demonstrated.</p> <p>4. All greasing and oil points, stickers, guarding and ID plate have been identified and physically pointed out.</p> <p>5. The customer agrees that it is his responsibility to read and carry out the safety, maintenance and operation as per this operator's manual.</p>	<p><b>Dealer Information</b></p> <p>Dealer's Name.....</p> <p>Address.....</p> <p>State..... Postcode.....</p> <p>Phone..... Fax.....</p> <p>Email.....</p> <p>Service Person.....</p> <p>I confirm that the pre-delivery service was performed on this machine.</p> <p>Signature.....</p> <p>Date.....</p> <p>Comments.....</p>
Customer Delivery (Please Tick)	Please Complete all Customer Information Below
<p><b>2. Customer Delivery Checklist</b></p> <p>1. The customer or person responsible has been given the operator's manual.</p> <p>2. The customer undertakes to read the complete operator's manual and understands all aspects of the manual before operation of the machine.</p> <p>3. All safety, operational and maintenance information have been explained and demonstrated.</p> <p>4. All greasing and oil points, stickers, guarding and ID plate have been identified and physically pointed out.</p> <p>5. The customer agrees that it is his responsibility to read and carry out the safety, maintenance and operation as per this operator's manual.</p>	<p><b>Customer Information</b></p> <p>Customer's Name.....</p> <p>Address.....</p> <p>State..... Postcode.....</p> <p>Phone..... Fax.....</p> <p>Email.....</p> <p>Delivery Person.....</p> <p>I confirm that all of the delivery checks were explained and performed.</p> <p>Signature.....</p> <p>Delivery Date.....</p> <p>Comments.....</p>

# FIELDKING

## WARRANTY CARD Customer Copy

CUSTOMER NAME Mr./ Mrs :

ADDRESS :

MOBILE NO. :

Email :

NAME OF IMPLEMENT :

MODEL NO. :

YEAR OF Mfg. :

SERIAL NO. :

REGISTRATION NO. :




DATE OF PURCHASING :

NAME OF DEALER :

Customer's Signature

Dealer's Signature


**Beri Udyog Pvt. Ltd.**

**Corporate Office :** Plot No. 235-236 & 238-240, Sec-3, HSIIDC,  
 Karnal- 132001 (Haryana), India  +91-184-2221571/ 72/ 73  
 marketing@fieldking.com, exports@fieldking.com,  www.fieldking.com

# FIELDKING

## WARRANTY CARD Company Copy

CUSTOMER NAME Mr./ Mrs :

ADDRESS :

MOBILE NO. :

Email :

NAME OF IMPLEMENT :

MODEL NO. :

YEAR OF Mfg. :

SERIAL NO. :

REGISTRATION NO. :

DATE OF PURCHASING :

NAME OF DEALER :

Customer's Signature

Dealer's Signature

  **Beri Udyog Pvt. Ltd.**

**Corporate Office** : Plot No. 235-236 & 238-240, Sec-3, HSIIDC,  
Karnal- 132001 (Haryana), India 📞 +91-184-2221571/ 72/ 73  
✉️ marketing@fieldking.com, exports@fieldking.com, 🌐 www.fieldking.com

# FIELDKING

## WARRANTY CARD

Dealer Copy

CUSTOMER NAME Mr./ Mrs :

ADDRESS :

MOBILE NO. :

Email :

NAME OF IMPLEMENT :

MODEL NO. :

YEAR OF Mfg. :

SERIAL NO. :

REGISTRATION NO. :

DATE OF PURCHASING :

NAME OF DEALER :

Customer's Signature

Dealer's Signature



**Beri Udyog Pvt. Ltd.**

**Corporate Office** : Plot No. 235-236 & 238-240, Sec-3, HSIIDC,

Karnal- 132001 (Haryana), India ☎ +91-184-2221571/ 72/ 73

✉ marketing@fieldking.com, exports@fieldking.com, 🌐 www.fieldking.com