



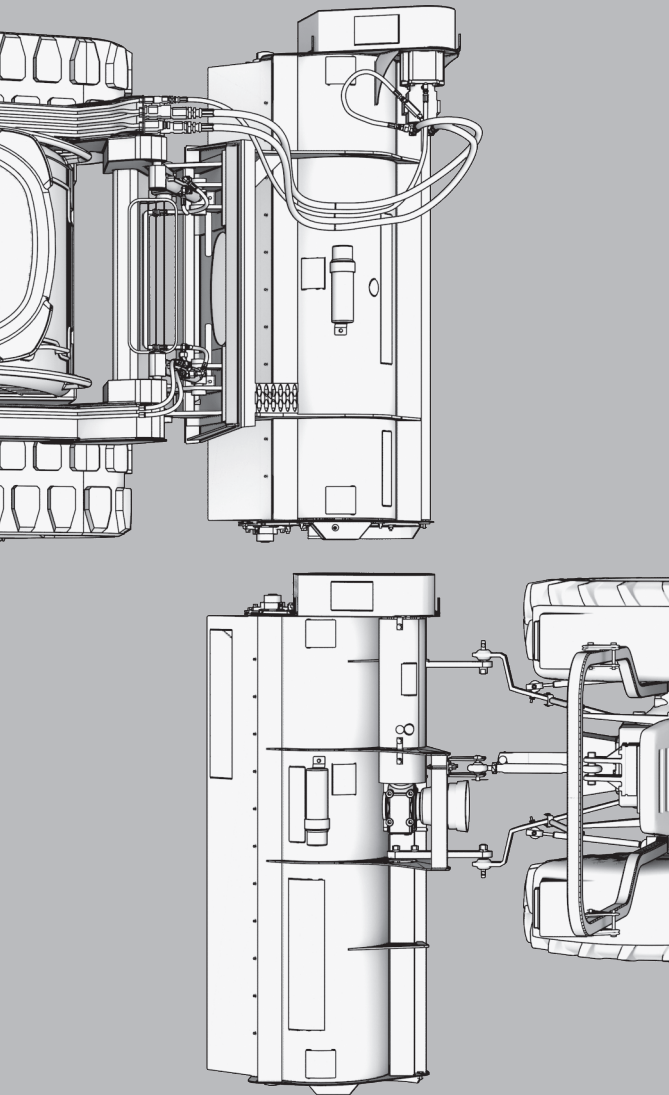
**LOFTNESS**

SPECIALIZED EQUIPMENT. UNLIMITED INNOVATION.

**LOFTNESS**

**flail**

**MOWER**



**LOFTNESS**

**VMLOGIX**

VEGETATION MANAGEMENT EQUIPMENT

**High Performance  
Skid steer and Tractor  
Mount Flail Mowers**



## Skid steer-mounted hydraulic simplicity.

### Flail power that takes down grass, weeds and brush up to 1-1/2 inches diameter.

This hydraulic driven mower is built Loftness tough to deliver the heavy duty power and performance needed to clear a path through the most challenging Right of Way (R.O.W.) vegetation. It destroys and mulches dense grass, tall weeds and small brush, leaving your vegetation challenge behind as if it was never there. Powerful and simple it features heat treated, reversible, side-slice knives rotating at 2,100 rpm and reaching knife tip speed of 110 mph.

- **Ready for your equipment**  
Available in three cutting widths.
- **Front-mounted visibility**  
Easily see your work and terrain.
- **Smooth, powerful operation**  
Exceptional balance and cutting power.
- **Quick attachment**  
Get up and running in a few minutes.
- **Exceptional quality**  
Built by the flail experts.



LOFTNESS  
**flail** HYDRO  
**MOWER**

## Tractor-mounted PTO flail mower perfection.

### Performance and quality. Loftness is your PTO flail partner all day.

As the leader in Right of Way vegetation management equipment, Loftness offers the versatility of a tractor-mounted flail mower. It mows down major overgrowth vegetation leaving behind an even mat of mulch for faster decomposition. The PTO version also uses heat treated, reversible, side-slice knives giving the PTO flail best in class performance all day long.

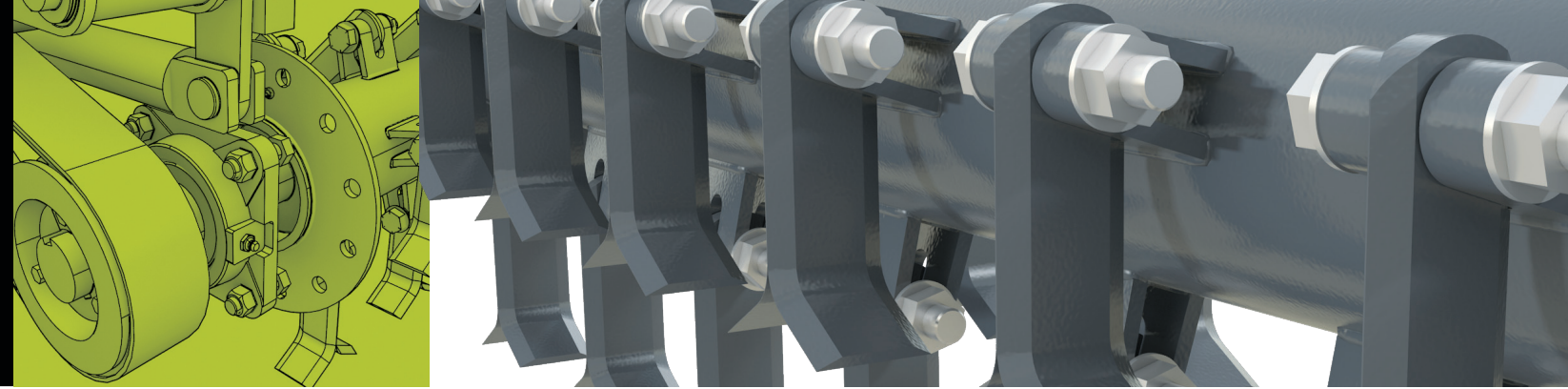
- **No job is too tough**  
Available in four cutting widths.
- **Versatile mounting**  
Cat. I or II, Free-link or Quick Hitch.
- **Smooth operation**  
High speed balanced and factory tested.
- **The power of PTO**  
Exceptional transfer of power and torque.
- **Frontline quality**  
Loftness is your PTO flail partner.



LOFTNESS  
**flail** PTO  
**MOWER**

PTO tractor or hydraulic skid steer.

# Two drive systems, one mission: Cut, Chop, Mulch.



### Banded Belts

A three-groove banded belt is used to efficiently transfer power from the line shaft to the rotor. Banded belts resist fly-off and twisting, will take more shock, and will generally last longer than conventional belts. Taper-lock sheaves for ease of maintenance

### Spring-Loaded Push-Type Idler

Another engineering feature from Loftness to further ensure super-smooth and trouble-free operation, this mechanism increases the belt wrap around each pulley in the belt system.

### PTO and Gearbox

The tractor-mounted mower is driven with the 540 RPM PTO and utilizes a 70 horsepower gearbox, a heavy duty coupler and line shaft support bearing.

### NEW - Power options

Harnessing the hydraulic power of your skid steer, Loftness offers an optional high-pressure piston-type hydraulic motor upgrade for pressures up to 6000 PSI. Power and torque are supported through a heavy duty bearing block.

### Standard power

As standard equipment, the Loftness skid steer-mounted Flail mower is configured with a high efficiency gear-type motor for pressures up to 3500 PSI.

### Rotor Speed

Loftness flail mowers excel in rotor speed, running comfortably at 2,100 rpm. The result is a thorough, complete cut that lays down a desired even distribution of mulch.

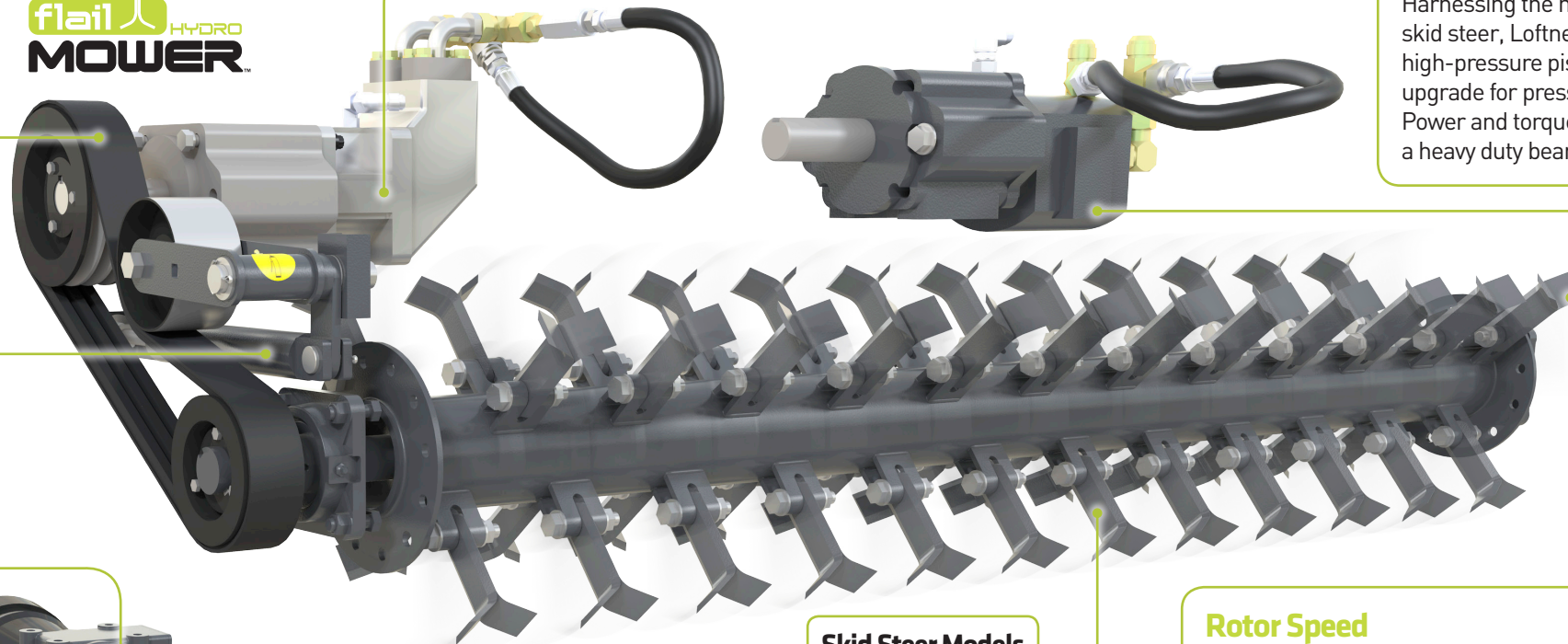
### Computer Balanced

Using the latest computer balancing technology, every rotor is balanced at high speeds before assembly. Then Loftness goes the extra step to ensure peak performance by running a full operational speed test after assembly.

### Rotor Lateral Movement Lock

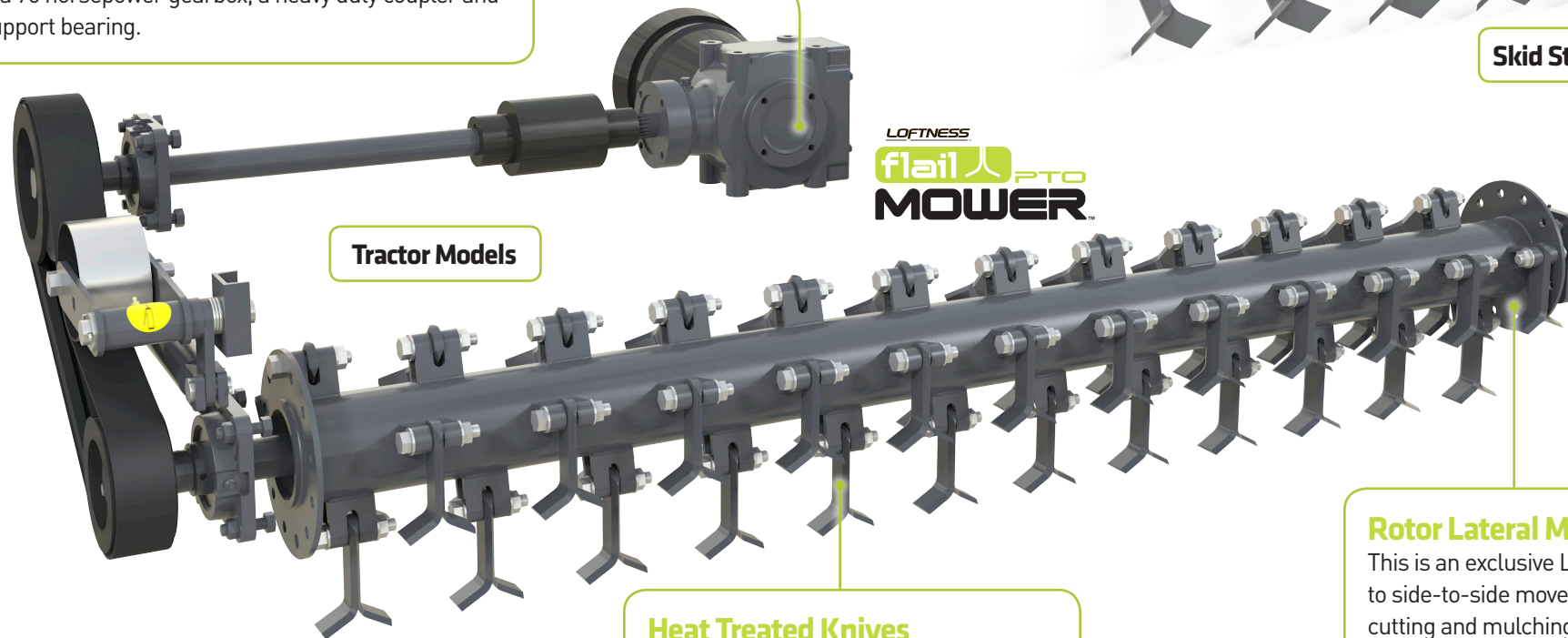
This is an exclusive Loftness design feature that puts an end to side-to-side movement caused by lateral forces during cutting and mulching. Lateral stabilization combined with the computer-balanced rotor and knife assembly provide super-smooth operation. Besides being more comfortable for the operator, this maximizes the horsepower at the knife tip.

LOFTNESS  
**flail** HYDRO  
MOWER



Skid Steer Models

LOFTNESS  
**flail** PTO  
MOWER



Tractor Models

### Heat Treated Knives

Both systems deliver a clean, fine cut with heat treated side-slice knives that are reversible, giving extended field use.



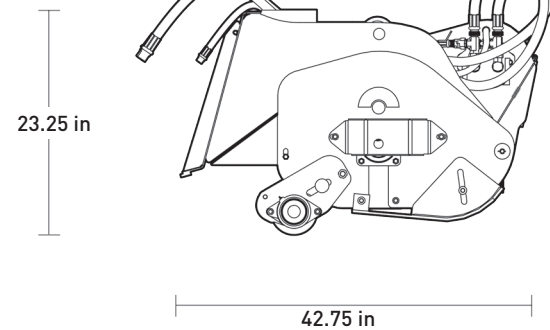
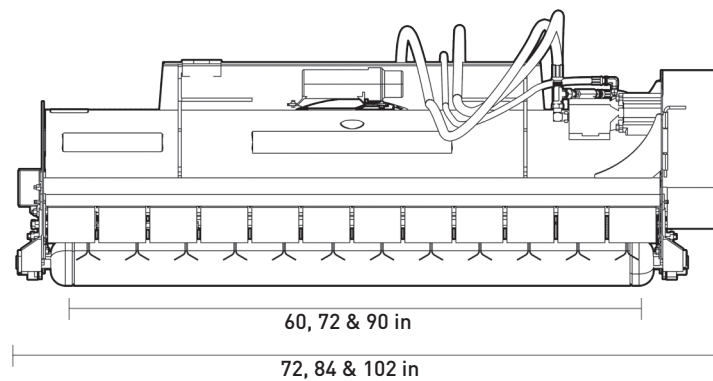
**LOFTNESS**  
**flail** HYDRO  
**MOWER**

Loftness skid steer-mounted flail mowers -  
**Hydraulic speed and power for a clean cut.**

**Hydraulic features that excel in demanding conditions.**

Loftness designed the hydraulic driven flail mower to take advantage of the power and versatility of your skid steer equipment. Easy to operate and maintain, the Loftness skid steer mounted flail mower is packed with powerful features that power through the toughest grasses, weeds and brush up to 1-1/2 inch.

**Specifications**



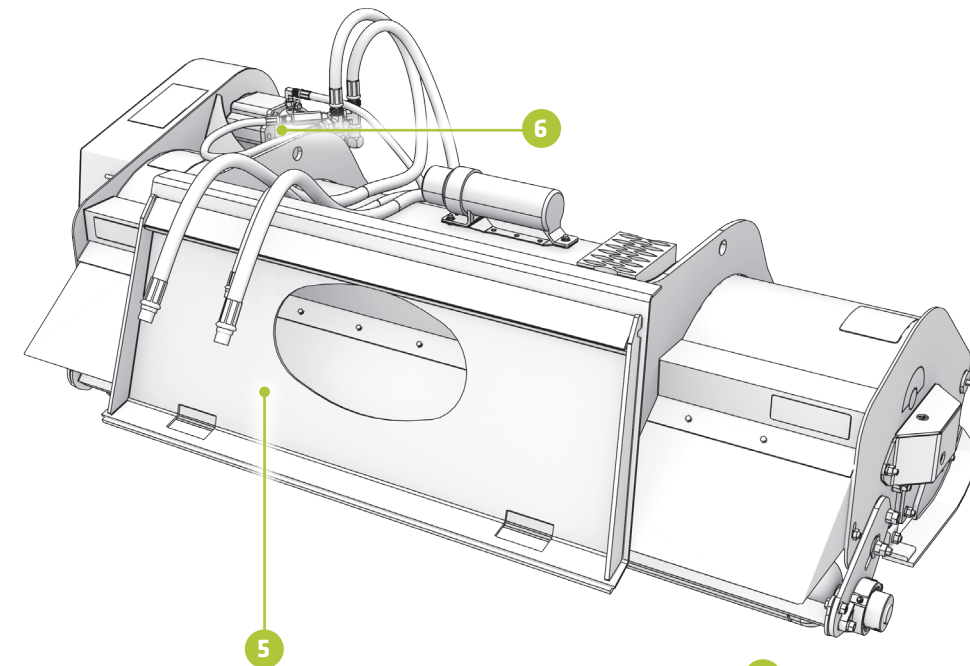
MODEL	WIDTH OF CUT (INCHES)	OVERALL WIDTH (INCHES)	HEIGHT (INCHES)	NUMBER OF KNIVES AND SETS	WEIGHT (POUNDS)	ROTOR BEARINGS
60MH	60	72	23.25	80, 40 sets	750	1-3/4
72MH	72	84	23.25	96, 48 sets	850	1-3/4
90MH	90	102	23.25	120, 60 sets	990	1-3/4

Warning: Due to the possible danger of flying debris, impact-resistant shielding MUST be provided for the operator. The owner is responsible for providing operator-protection devices on the power unit.

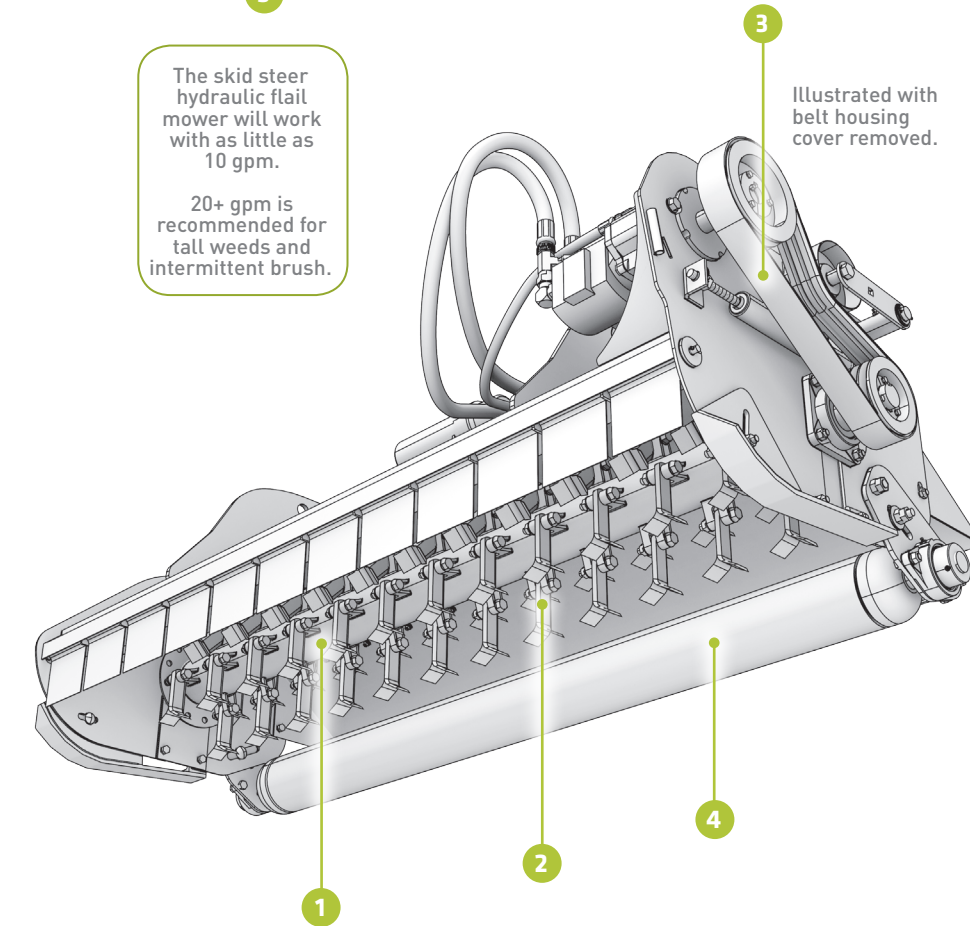


**Loftness blade design and quality is the best in the industry. Both flail systems are equipped with heat treated, reversible side slice knife sets.**

**Skid Steer Models**



The skid steer hydraulic flail mower will work with as little as 10 gpm.  
 20+ gpm is recommended for tall weeds and intermittent brush.



**Features**

- 1 ROTOR**
  - High speed balanced at factory
  - Available in three cutting widths: 60, 72, 90 inches
  - Rotor speed: 2000 - 2300 RPM
  - Taper-lock sheaves
  - Heavy duty 1-3/4 inch roller bearings
- 2 KNIVES**
  - Fine cut
  - Side-slice
  - Heat treated
  - Reversible
- 3 BELT DRIVE**
  - Three groove banded belt
  - Spring-loaded belt tightener
  - Heavy duty vented housing
- 4 GAGE ROLLER**
  - 5-1/2 inch diameter
  - 1/4 inch steel
  - Adjustable from 0 to 4 1/2 inches
  - Heavy duty 1-1/2 inch bearings
  - Full width scraper
- 5 MOUNT**
  - Universal skid steer mount
  - All welded construction
- 6 DRIVE AND POWER**
  - Heavy duty motor choices
    - 9 hydraulic motor sizes: 22-45 GPM
    - Standard: up to 3500 PSI High-efficiency gear-type motor
    - Optional: up to 6000 PSI High pressure piston-type motor
  - Dual cross-over relief valve protection
  - External HD bearing block
  - 1700 RPM rotor
  - Power requirements start at 38 HP

**COMPONENTS**

- Curved hood for improved suction
- Bearing deflector guard
- Adjustable skid shoes
- 0 to 4-1/2 inch cutting height
- Steel deflector shields
- All hoses included (Couplers are not included.)

**CONSTRUCTION**

- 10 gage steel hood
- Structural steel frame
- 1/4 inch steel end plates

## Features

### 1 ROTOR

- High speed balanced at factory
- Available in four cutting widths: 48, 60, 72, 90 inches
- Rotor speed: 2190 RPM
- Taper-lock sheaves
- Heavy duty 1-3/4 inch roller bearings

### 2 KNIVES

- Fine cut
- Side-slice
- Heat treated
- Reversible

### 3 BELT DRIVE

- Three groove banded belt
- Spring-loaded belt tightener
- Heavy duty vented housing

### 4 GAGE ROLLER

- 5-1/2 inch diameter
- 1/4 inch steel
- Adjustable from 0 to 4-1/2 inches
- Heavy duty 1-1/2 inch bearings
- Full width scraper

### 5 MOUNT

- Category I or II
- Free-link or Quick Hitch
- Centered or 14 inch right side offset
- Heavy duty construction

### 6

### DRIVE AND POWER

- 540 RPM PTO
- 70 HP gearbox and drive line
- Line shaft support bearing

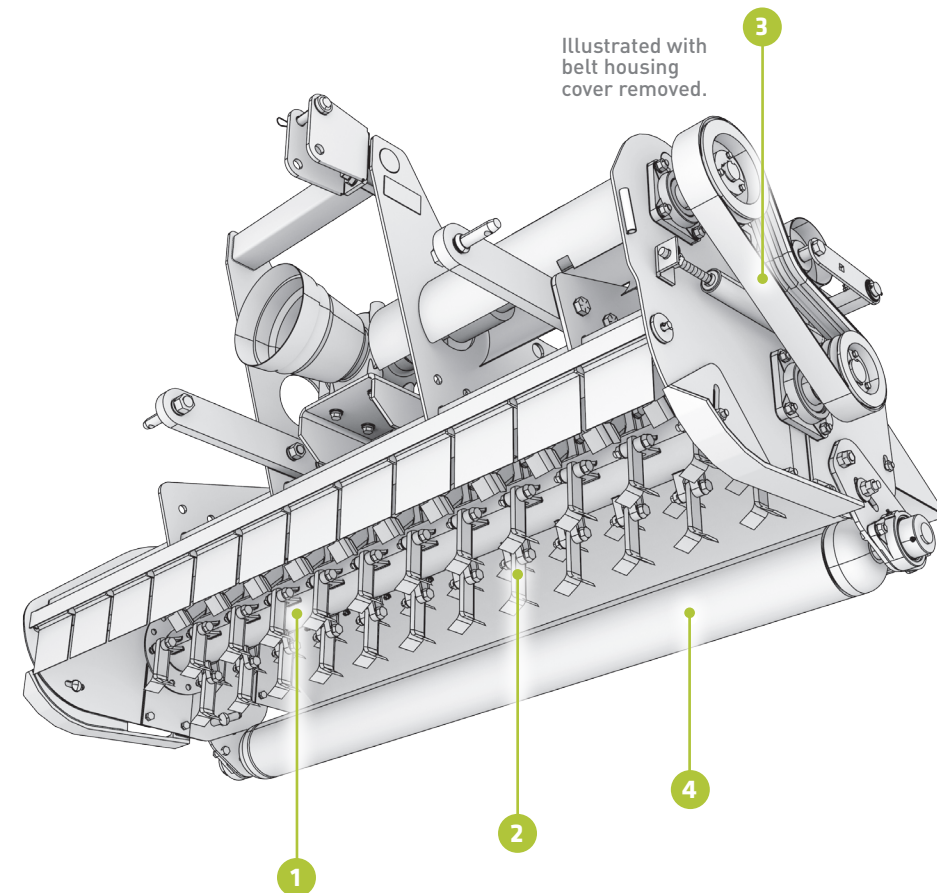
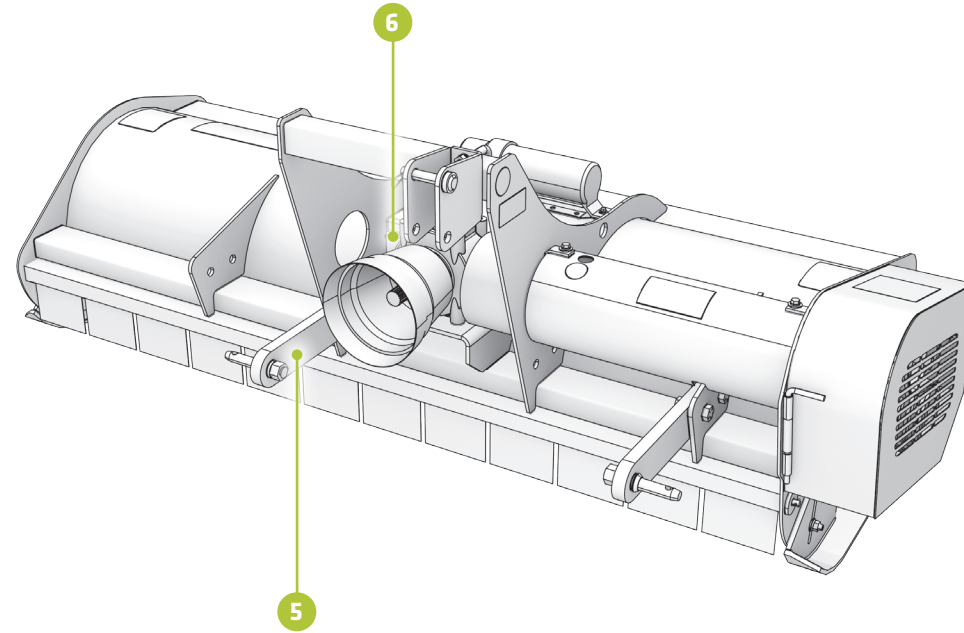
### COMPONENTS

- Curved hood for improved suction
- Bearing deflector guard
- Adjustable skid shoes
- 0 to 4-1/2 inch cutting height
- Steel deflector shields

### CONSTRUCTION

- 10 gage steel hood
- Structural steel frame
- 1/4 inch steel end plates

## Tractor Models

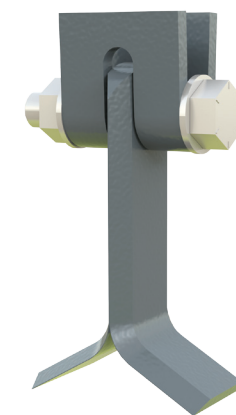
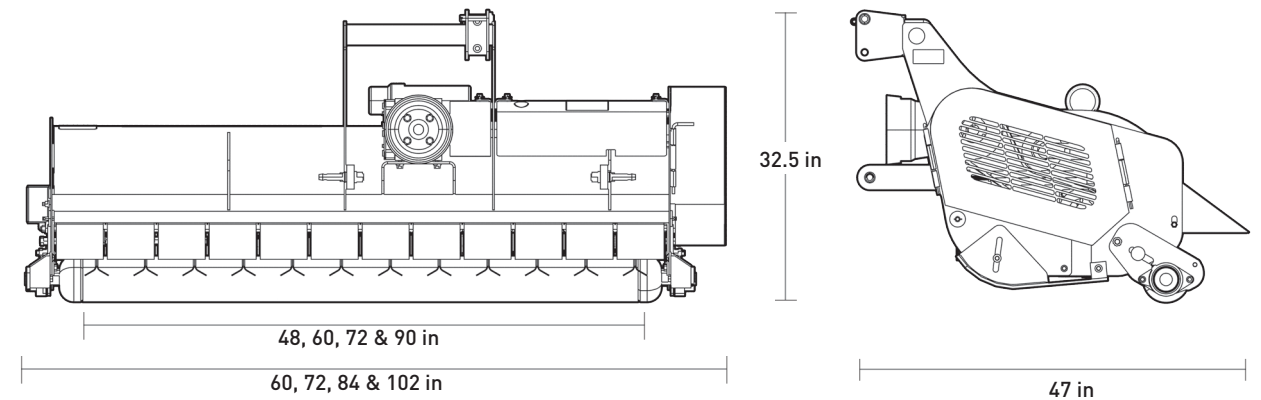


## LOFTNESS flail PTO MOWER™

Loftness tractor-mounted PTO flail mowers -  
**Your heavy duty  
VM workhorse.**

**PTO flail mower features that slice through the toughest job.**

Loftness understands the demands that endless hours of use can put on your mowing equipment. That's why we designed the tractor-mounted, PTO-driven, flail mower with hardened materials and heavy duty components throughout. And the versatility of the PTO flail allows you to cut grass or weeds, and up to 1-1/2 inch diameter brush with the same knives.



Loftness blade design and quality is the best in the industry. Both flail systems are equipped with heat treated reversible side slice knife sets.

MODEL	WIDTH OF CUT (INCHES)	OVERALL WIDTH (INCHES)	HEIGHT	NUMBER OF KNIVES AND SETS	WEIGHT	ROTOR BEARINGS
48M	48	60	32.5	64, 32 sets	650	1-3/4
60M	60	72	32.5	80, 40 sets	750	1-3/4
72M	72	84	32.5	96, 48 sets	850	1-3/4
90M	90	102	32.5	120, 60 sets	990	1-3/4

Warning: Due to the possible danger of flying debris, impact-resistant shielding MUST be provided for the operator. The owner is responsible for providing operator-protection devices on the power unit.

## Tough on vegetation, tough on competition

You can shop and compare the Loftness Flail Mowers against the competition. Or don't and just buy with confidence, knowing that you're getting unbeatable power and performance that are driven by experience.

Loftness has been manufacturing flail mowers for nearly 20 years—one of the longest in the industry. Loftness also manufactures five different heavy duty, heavy-performance types of products in the Vegetation Management and Right of Way markets. That's unsurpassed experience that goes into the engineering, design and manufacturing of every product.



## LEVERAGE STRENGTH

Put the power, reliability and confidence of Loftness VMLogix Equipment behind your Right of Way and Vegetation Management operations.

## LEARN MORE

For a more in-depth examination of how Loftness and our full line of Vegetation Management equipment—including the Loftness Flail Mowers—can help you meet your R.O.W. challenges, visit the Loftness Vegetation Management Equipment website - [vm-logix.com](http://vm-logix.com)

# Professional grade flail mowers Is there such a thing as over-engineering?



*Tall weeds, grass and small brush are no match for the heavy duty performance of the Loftness skid steer mounted Flail Mower.*

**We don't think so.** And we bet you don't think so, either. Not when it comes to managing the toughest Right of Way vegetation challenges you face. That's when second-best isn't good enough. And that's when the power and engineering expertise of Loftness machines shine. And keep shining, as our equipment is built to last, and last. The Loftness mission is simple and clear: Engineer a product that surpasses your performance expectations every time.



*Loftness tractor-mounted, PTO-driven, flail mower powers through tough R.O.W. vegetation, including clearing small brush.*

## Loftness, the VM equipment leader

From the first weld to the final shipping label, every Loftness employee is dedicated to providing their Right of Way (R.O.W.) and Vegetation Management (VM) customer with the quality and innovation they need to remain productive and competitive.



## VMLogix—The Loftness commitment to customer success

Every day, VM and R.O.W. professionals count on the consistency and reliability delivered by Loftness and the VMLogix line of equipment. Customer success is the cornerstone of our commitment to delivering the most innovative and best built vegetation equipment in the industry.





# LOFTNESS

SPECIALIZED EQUIPMENT. UNLIMITED INNOVATION.

LOFTNESS



VEGETATION MANAGEMENT EQUIPMENT



LOFTNESS  
**carbide EX HYDRO CUTTER**

LOFTNESS  
**carbide EX PTO CUTTER**



LOFTNESS  
**carbide CUTTER**  
Excavator

LOFTNESS  
**carbide EX CUTTER**  
Excavator



LOFTNESS  
**tree 360 HAMMER**

LOFTNESS  
**carbide G3 CUTTER**



LOFTNESS  
**timmer AX**

LOFTNESS  
**kwik TRIM**



LOFTNESS  
**flail HYDRO MOWER**

LOFTNESS  
**flail PTO MOWER**



LOFTNESS  
**VMLOGIX**  
VEGETATION MANAGEMENT EQUIPMENT

Call us or ask your local Loftness dealer about the VMLogix line of vegetation management products.

Specifications, data, and pricing information herein is subject to change without notice.  
©2012 Loftness Specialized Equipment, Inc.  
L10021 - Flail Mower Printed 5/2012



LOFTNESS

Loftness Specialized Equipment  
650 South Main Street  
Hector, Minnesota 55342 USA

Toll Free US & Canada: 800-828-7624  
International: 320-848-6266  
email: [info@loftness.com](mailto:info@loftness.com)  
[loftness.com](http://loftness.com)  
[vm-logix.com](http://vm-logix.com)