

RhinoAg: Boom Mowers

2160



Max Vertical Reach of 22'6"



Max Horizontal Reach of 21'



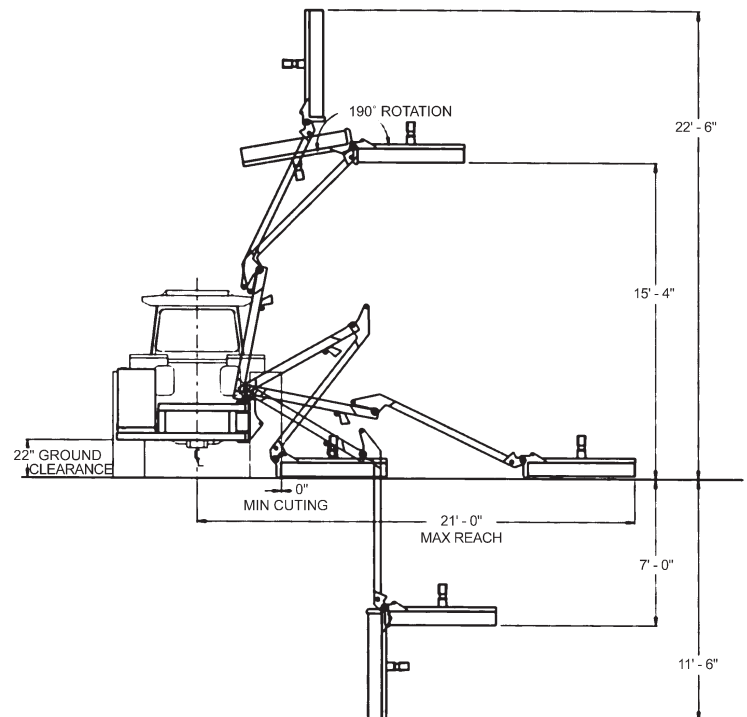
190° Cutter Head Range



Available in 540 Rpm



2" Cut Capacity



▶ 2160

Specifications	2160
Cutting Width	60"
Transport Width	113"
Overall Width (Head)	69"
Overall Length (Head)	71 3/8"
Cutting Height (Min)	1 3/4"
Support Stand	Std
Hitch	CAT 2 & 3 QH
Blade Carrier	Pan
Blades	1/2" x 4" Updraft
Blade Rotation	Clockwise
HP Required	110 PTO w/ Adequate Front & Side Weights
PTO Type	540 RPM Only
Oil Reservoir Capacity	55 Gallons Factory Filled
Max Operating Pressure	3,000 PSI
Breakaway Pressure	2,750 PSI
Blade Tip Speed	16,870 FPM
Horizontal Reach (Max)	21'
Vertical Reach (Max)	22' 6"
Down Reach (Max)	11' 6"
Cutting Capacity (Max)	2"
Driveline Size	CAT 4
Overload Protection	Hydraulic Relief Valve
Deck Thickness	10 Ga
Side Skirt	10 Ga x 9 1/4"
Range of Head Movement	190 Degrees
Hydraulic Pump Rating	18.32 GPM
Protective Cage	Required for Non-Cab Tractors
Safety Deflectors	Rubber Belting
Weight (Approx)	2,700 lbs (w/ Oil)



JOYSTICK

delivers maximum control from the seat of your tractor



190° RANGE OF MOTION

allows work to be done with minimal restrictions